

Tent-X (TCS-1) User Manual



TCS-1 for Tent-X Control System

OVERVIEW

Congratulations on purchasing the all in 1, state-of-the-art control system, the Tent-X. Designed for single-zone grow tents, this device is capable of satisfying all your grow tent' s environmental and irrigation needs. The TCS-1 / Tent-X is the brain that unites all your climate control and irrigation devices into one controller. This allows ALL of your devices to work together in order to create the optimal growth environment for your plants. The TENT-X allows users to monitor and control both their environment and the irrigation / fertigation systems within their grow tent, using one simple-to-use and cost-effective controller. The Tent-X is suitable to control all sizes of grow tents. It can control and monitor EC type fans, air temperature, humidity, CO2 and Lights. It can also monitor and control all of your irrigation devices within your tent including pH, EC, water temperature, and VWC (Volumetric Water Content).

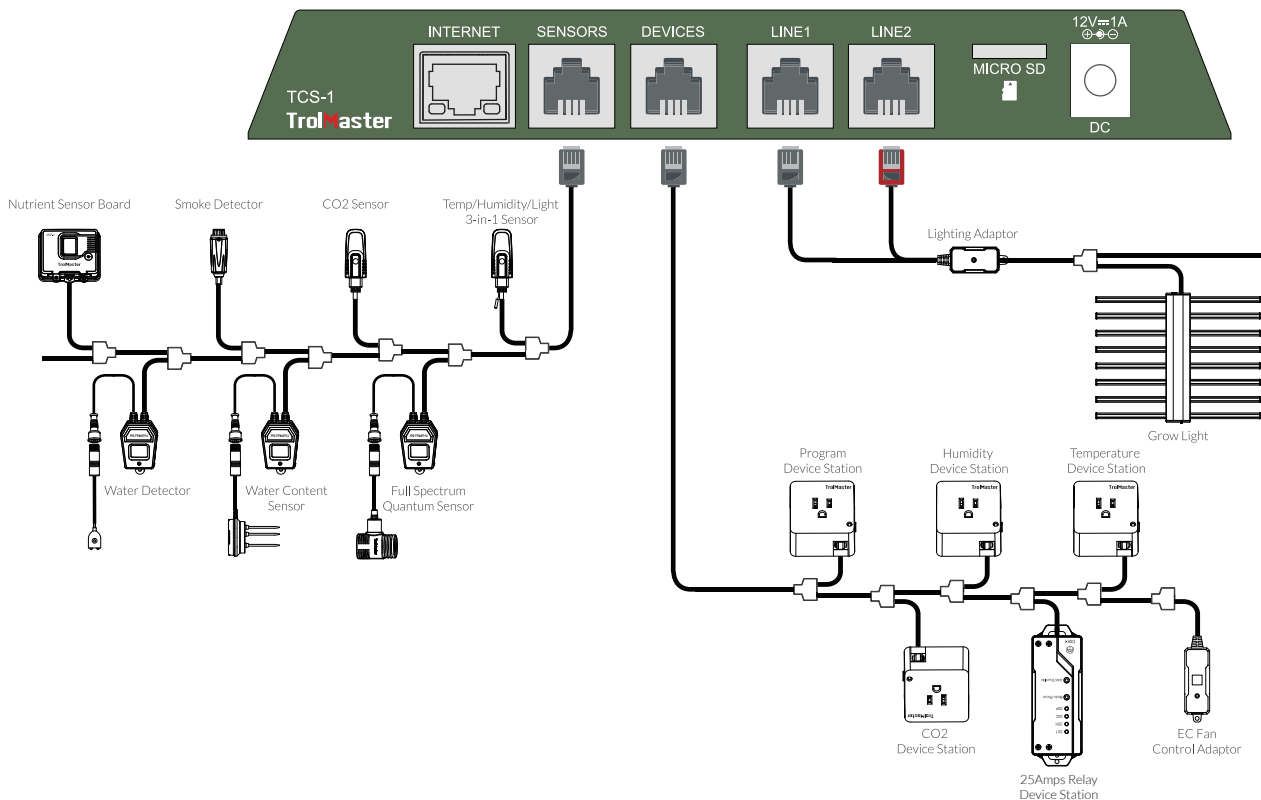
PACKAGE CONTENTS

The TCS-1 controller comes with the main controller, a MBS-TH sensor, a 12vdc power supply and a standard cable kit with a 4 & 16ft RJ cable and Y-splitter. The other parts that will make up your control system will be purchased separately as required by each user.

INSTRUCTIONS

Install the Tent-X on a wall using the included back plate that comes in the package with the controller. It is a simple fixed wall bracket. Simply release the controller from the bracket by pulling the controller from the bracket, then mount the bracket on the wall using screws. You can then place the controller back into the bracket by simply pushing the controller into the bracket. It will lock itself into place. Then you can start installing and connecting your sensors and device modules to the TCS-1 using our standard RJ12 cables.

The interconnecting RJ12 communication cables come in various lengths. It's crucial to choose the right length that suits your application. When purchasing the TCS-1 TENT-X Control System, you'll receive a RJ12 cable set consisting of a 4ft and 16ft RJ cable and Y-splitter as part of the package. Each device module and optional sensor you purchase will also come with the standard RJ12 cable set. Additional ECS-1 cable sets can be purchased.



1. Sensor Connections

ALL of the sensors used with the TENT-X will be connected to the RJ12 port labeled SENSORS, at the bottom of the unit. First, connect an RJ12 cable to the port, then connect the other end to either a Y-splitter or TrolMaster's splitter hub (SPH-1). If using the Y-splitter, you can connect the first sensor and then use additional Y-splitters to add each additional sensor. When connecting multiple sensors, it can be easier to use a single 8-port SPH-1 instead of multiple Y-splitters. Below are all of the sensor types that can be connected to the TCS-1 and the maximum number that can be connected.

1x MBS-TH:	3-in-1 temperature, humidity, and light sensor. *Comes with the TCS-1.
1x MBS-S8:	CO2 sensor
1x MBS-PAR:	Full spectrum quantum sensor
1x MBS-SD:	Smoke detector
2x WD-1:	Water detector
1x AMP-3:	Amplifier for connect the pH and EC probes
1x PCT-1, 2 or 3:	EC & temperature probe
1x PPH-1, 2 or 3:	PH probe
1x WCS-1, 2 or 3:	Water content sensor or WCS-2: Water content + EC sensor

Once the sensors are all connected to the SENSOR port on the TCS-1, some of the sensors require you to press the small button on the sensors to link or “address” each sensor to the TCS-1 controller. The TENT-X controller will then automatically assign an address to the sensors sequentially. Once the sensors are addressed, the addresses will be saved unless the user completes a factory or sensor reset within the system setting menu.

2. Light Connections

The TCS-1 can control most brands of LED or HID lights using the two built-in lighting control channels on the TCS-1. Each of the two channels can operate independently of each other to allow two different types or brands of lights to be controlled. In order to control your lights, you must first plug in one of TrolMaster’ s LMA Lighting Adapters into the RJ12 ports on the bottom of the controller, labeled Line 1 and Line 2. TrolMaster offers several types of lighting Adaptors for different brands and types of lights. If you have questions about which adapter is correct for your lights, contact Tech Support or go to the Tent-X page on TrolMaster’ s website at www.trolmaster.com. Since each of the two lighting control channels are independent, each control line can be set up to have its own timer settings and dimming temperature setpoints as well as the dimming & power % that each group of lights will be operated at.

3. Device Module Connections

There are multiple device modules that can be used with the TCS-1. All of the device modules used with the TCS-1 will be connected to the RJ12 port at the bottom of the controller, labeled DEVICES. First, connect an RJ12 cable to the port, then connect the other end to either a Y-splitter or TrolMaster’ s splitter hub (SPH-1). If using the Y-splitter, a device module in one of the two ports and another device module to the second port, or connect another Y-splitter to the second port to create a daisy-chain connection in order to connect more device modules. Repeat the procedure to connect all of the device modules to the DEVICES RJ12 port on the TCS-1 controller. When connecting multiple device modules, it can be easier to use a single 8-port SPH-1 instead of multiple Y-splitters. Once the devices are all connected, press the small button on the device modules to link or “address” each module to the TCS-1 controller. The TENT-X

controller will assign an address to the device modules sequentially. Once the device modules are addressed, the addresses will be saved unless the user completes a factory or device reset in the system setting menu.

There are individual limits to how many device modules can be connected to the TCS-1.

- Temperature = 2 ----- Heating or Cooling
- Humidity = 2 ----- Dehumidify or Humidify
- CO2 = 2 ----- Increase or Decrease CO2 levels
- Timer devices = 4 ----- recycling or schedule timers

Below is a list of all of the device modules that can be used with the TCS-1.

2 x DSC-1:	Device station for CO2
2 x DSH-1&2:	Device station for humidity
2 x DST-1&2:	Device station for temperature
2 x DSP-1&2:	Device station for timer control
* DSD-1:	Dry-contact device station, with N/O and N/C contacts. *Universal Module.
* DSV-1:	Low-voltage device station (12-24V, AC/DC) *Universal Module.
* DCC-1:	Dual condition adapter, allows a single DS type device station to have 2 control settings *Universal Module
* DSR-1:	25Amps Relay Device Station (100-277V~, 50/60Hz) *Universal module
2 x ARS-1:	Mini-split AC control module, controls most mini-splits. *See TrolMaster website for details about which mini-splits can be controlled, and which cannot.
* 4RS-2:	The 4RS-2 device module was designed specifically for the TCS-1. It provides a single control module that features 4 separate controlled power outlets. Each 4RS-2 can control a temperature and a humidity device as well as two separate timer controlled devices like fans or pumps. *Using the 4RS-2 module will use up 1 temp, 1 humidity and 2 timer slots.

***Note:** Keep in mind the maximum number of each device module that can be connected as stated above.

4. EC Fans Connections

The TCS-1 can control EC fans. We will divide those fans into two categories, standard EC fans and Aerofan EC fans.

Standard EC fans that can be controlled using a 0-10 volt or PWM signal can be connected to the TCS-1 using the optional EFC-1 fan interface module. Users can control two EC fans at the same time, categorized as F1 and F2. Each fan will be connected to a separate EFC-1 that is connected into the device RJ12 port. The first and primary fan, called F1, can be used and controlled as an exhaust fan to control temperature and humidity. As the Temp or Humid increases, the fan speed also increases. The second fan, F2, can

optionally be used and controlled to run at a slightly slower speed than F1 and will act as an intake fan to create the desired negative pressure within the grow tent.

Controlling Standard EC fans: In the Tent-X system, EC Fans can be controlled using the optional EFC-1 control adaptors. Using the EFC-1 control adaptors, you can control 0-10 volt or PWM-type EC fans, which you can select when first setting up the EFC-1. The EFC-1 control adaptors can control the speed of the exhaust fan and the intake fan, which as a result, can manipulate the temperature, humidity, and negative pressure inside the grow tent to suit the users' desired outcome. Up to 2 fans can be controlled using two of the EFC-1 adapters.

Aerofan Branded EC fans do not require the optional EFC-1 as they can be connected directly to the Device module RJ12 port on the TCS-1. The TCS-1 can control either a single Aerofan, or multiple Aerofans using the same user settings for all connected fans. Multiple Aerofans can all be connected together using the provided daisy-chain cables. Then that group of fans can be connected to the TCS-1 Device port. Once connected the user can select the settings for the Aerofans to operate.

***Note:** The "Swing" function is only used for Aerofans that have an oscillating motion. When using the Aerofan control option, there is only a single EC fan setting available.

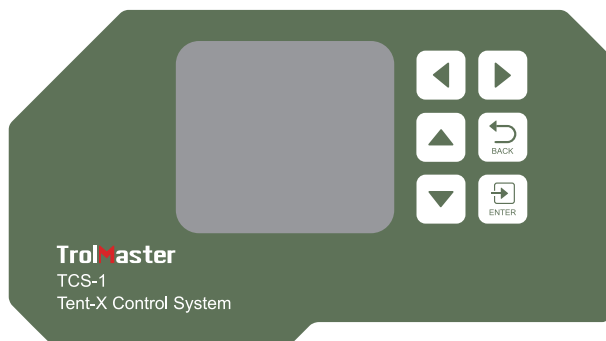
***Note:** To have a negative pressure within a grow tent when using the Aerofans, select a larger fan for the exhaust and a smaller fan for the intake.

Controlling Aerofan EC fans: Aerofan fans can be connected to the TCS-1 one of two ways. Aerofans do not require any type of adapter to control them using the TCS-1 controller. So the simplest way to connect Aerofan fans to the TCS-1 is to plug in the communication cable from the fan(s) directly into the DEVICE port on the TCS-1. All of the fans to be controlled would be daisy-chained together using the provided cables and then connected to the device port on the TCS-1. Once connected, those fans will be controlled based on the settings within the EC Fan page. You can also choose to use the optional FRC-1 Fan Remote Control module. The FRC-1 provides an easy and manual method to adjust the Aerofan speeds. The FRC-1 is connected inline with the fans using the supplied Y-cable, the other end of the Y-cable connects to the TCS-1. Normally the TCS-1 will control the fan speed based on the user's setting within the TCS-1. But when the FRC-1 is connected, turning the manual knob on the FRC-1 will temporarily allow the FRC-1 to control the fan speed based on the user's manual speed setting. After 30 minutes of inactivity on the FRC-1, the Aerofans that are connected to the FRC-1 and the TCS-1 will be controlled by the TCS-1 again.

5. Internet Connection

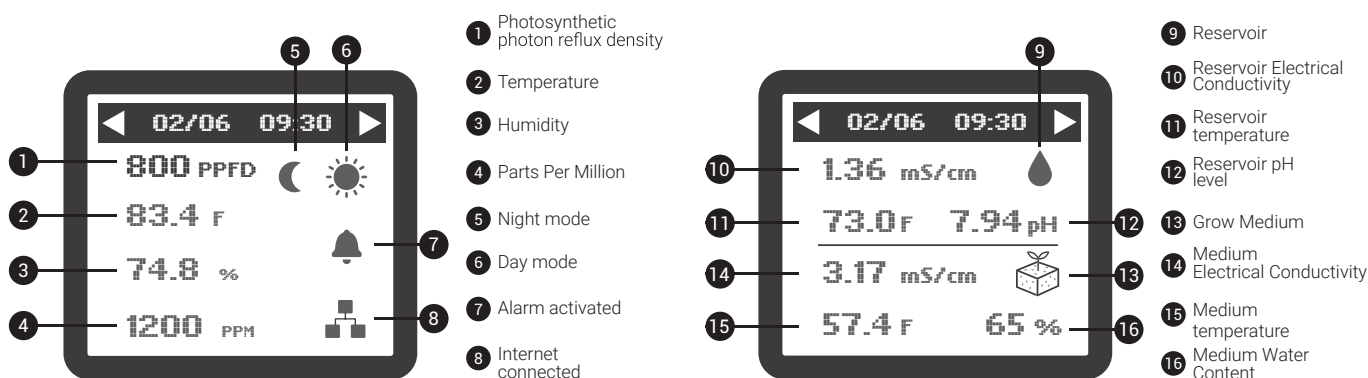
You can connect your TENT-X to the internet in order to have access to remote monitoring, notifications, and control of your controller. To connect the controller to your internet, TrolMaster recommends using a hard-wired Cat 5/6 cable plugged into the Ethernet port on the bottom of the TCS-1. After you have connected your TENT-X to the internet, download TrolMaster's app, TM+ Pro on your smartphone. You can then access real-time data through your smartphone and have remote control of the devices connected to the Tent-X, allowing freedom to travel and be away from your growing environment. TrolMaster users can also share their progress, interact with other growers, access historical data and have access to many useful functions in the app.

***Note:** There is no built-in wifi on the TCS-1. Contact TrolMaster Tech Support for options related to using a wifi connection as most commercially available wifi range extenders (with Ethernet ports) are NOT compatible with TrolMaster controllers.



Main Interface

When you plug in the Tent-X for the first time, you will land on the homepage on the LCD display. This is where the sensor data for the grow tent is displayed. Press the "LEFT" and "RIGHT" arrows to switch between the climate parameter data, the nutrients and grow medium monitoring data, the device status page, and the alarm notification page. Each page provides specific information about the Tent-X. The Tent-X will constantly monitor your climate, and nutrients and grow medium data in real-time:



Alarm Notifications

The alarm notification page is where all of your alarm notifications are consolidated. This is where you can check up on missed alarm notifications, and adjust your set-up accordingly.

Understanding The Menu / Pages

There are 4 Main menu pages on the TCS-1. When you first power on the controller, the Home page will be shown. On that page you can see the current environmental conditions inside the tent. Pressing the right arrow button will bring you to the current irrigation conditions. You can also use the left arrow button to view the Device status and the Alarm messages pages. The Device status page will show the current status (On / Off) of each device connected to the TCS-1. The Alarm page will show the most recent alarm messages.

Setting	
Day & Night Climate	
Light	Device
EC Fan	System

TCS-1 Setting Pages

From the main menu on the TCS-1, when you press ENTER on the Tent-X, you will enter a Setting page consisting of five blocks, with each block accessing a specific page with settings for Climate settings, Lights, Devices, EC fans and System settings.

Day Setpoint		
Temp	Humid	CO2
70 °F	65 %	1200 ppm
Night Setpoint		
Temp	Humid	CO2
55 °F	50 %	400 ppm

Day&Night Climate

After pressing ENTER on the Day&Night Climate tab, you will open the page where you can set the temperature, humidity, and CO2 levels in the grow tent for both day and night. After the climate parameters have been set, the climate devices connected to the Tent-X will automatically maintain those settings.

Lighting
Line 1
Line 2

Lights

After pressing ENTER on the Light block, the screen will display Line 1 and Line 2. Use the UP and DOWN arrows to choose Line 1 or Line 2 and press ENTER to navigate to the page where you can make changes to the selected Line.

Line 1 Lighting	
Mode	LED
Power	100%
On at	20:00
Off at	08:00
Dim at	84 °F
Stop at	89 °F
Sun R/S time	OFF

On this page, you can create your light settings. Use the UP and DOWN buttons to navigate the options on this page and press ENTER on an item to change it. When you see the item blinking, you can switch between the selections using the UP and DOWN arrows. When you have selected your item, press ENTER again to confirm the selection. Select whether you're using HID or LED lights. You can also select the On/Off time for your lights, the temperature at which the lights will dim, the Sunrise and Sunset time, and more.

Devices Setting			
T1 Heat		T2 Cool	
H1 Humid		H2 Dehumid	
C1 In		C2 Out	
P1	P2	P3	P4

Devices

The Devices tab is where you will set up your climate control devices. With the use of our plug-in DS modules, you can connect and control the devices via the controller. TrolMaster's Tent-X can control multiple device modules.

When you open the Devices page, there you can select what each of your connect device modules will be controlling. You have 2 device slots available each for temperature T1 & T2, humidity H1 & H2, and CO2 C1 & C2. You can also set 4 programmable timer devices, labeled from P1 to P4.

Move the cursor to the device module setting you want to change. Press ENTER to access the device's settings. You can then use the UP or DOWN arrows to select what kind of device is connected to the Tent-X. When you have finished selecting the device you've connected for each device module, press ENTER again to confirm the selections.

The program device modules can be used to connect either more climate devices or timer-based irrigation devices like solenoids and pumps. If you want to connect irrigation devices to set up irrigation schedules, you can use the DSP1 or 2 modules (120 or 240v), or the DSV-1 (12-24v AC/DC), to set up your preferred schedules. In order to program a device by schedule, press ENTER on any of the program tabs from P1 to P4. The LCD screen will then display 3 options, where you can set what kind of schedule you'd like to set. If you choose the single schedule setting, there are only 2 timers you will have to set. You simply input when you want the device to turn on, and when it turns off. If you choose the multi-schedule setting, you can set up to 12 individual On and Off times for each device to follow within a 24-hour "day". If you choose to use the recycle timer mode, you will be able to determine the On and Off time duration, and the recycle timer mode will then repeat that same On / Off duration schedule as many times as you'd like, working as a repeat-cycle timer. You will also be able to select the time of day for the repeat-cycle to begin, as well as be able to determine how many cycles will be repeated before the timers are shut off until the next day. The Tent-X controller will handle the rest once you've set up your preferred irrigation schedule. Your timer-controlled devices will be controlled automatically with the TCS-1 according to the settings you specified.

Setting	
Day & Night Climate	
Light	Devices
EC Fan	System

EC Fan Settings

Fan F1: There are 4 modes for the F1 fan with separate settings for Day and Night. These 4 modes include:

- **Cool only mode:** The exhaust fan is solely controlled by the temperature in the grow tent
- **Dehu only mode:** The exhaust fan is solely controlled by the humidity levels in the grow tent
- **Cool priority mode:** The exhaust fan is controlled by both temperature and humidity, however, it will prioritize temperature to be within the defined range if both can't be achieved.
- **Dehu Priority mode:** The exhaust fan is controlled by both temperature and humidity, however, it will prioritize humidity to be within the defined range if both can't be achieved.

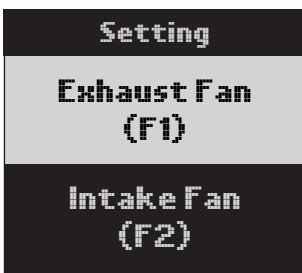
Within the F1 setting page, you can also set the minimum and maximum fan speed the exhaust fan can operate at. When using only a single Exhaust fan,

Setting
Exhaust Fan (F1)
Intake Fan (F2)

setting the minimum speed for the fan to operate at above 0% will allow the user to ensure negative pressure inside the tent even when the TCS-1 is not calling for cooling. Setting the maximum speed the fan can operate will allow the user to choose how fast and how loud the fan will operate at full speed.

Press ENTER on “Exhaust Fan (F1)” and you will land on the page where you can set the fan settings. The first thing to select is the mode you want the fan to operate. Press Enter and then use the Up / Down arrows to select the desired mode, then press Enter. Next you can select the Minimum fan speed. Then you will select the Maximum fan speed. You can also select to interlock the CO2 to be disabled when the fan is running. Move the cursor on the screen down to CO2 Interlock, then use the Up or Down arrow to allow the check mark ✓ to appear on the screen, and press ENTER again to confirm the selection. Depending on how you set it up, the fans will increase their speed as the temperature or humidity rises, and they will slow down (or stop) as the temperature and humidity decrease. With the fans working together in an “open loop” control scheme, you will be able to accurately control the environment inside the tent using fresh air.

***Note:** The “Swing” function is not used to control standard EC fans.



Fan F2: The F2 fan settings are for the optional 2nd fan that can be installed as an intake fan. The intake fan can be set to operate at a slightly lower speed than F1 fan operates, hence automatically creating a negative pressure within the grow tent. The user can select the % “differential” and whether to shut off the fan or allow it to continue to operate when below the Temp or Humid setpoint. The user can customize their intake fan settings within the F2 block. While a single exhaust fan can be used, we can control the amount of negative pressure within the tent by adding a separate intake fan and controlling it separately. With the F2 option, you can set the negative pressure in your tent by decreasing the speed of the intake air fan.

Press ENTER on “Intake Fan(F2)” and you will land on the page where you can set the negative pressure you’d like in your grow tent. Press ENTER again and use the UP and DOWN arrows to select your number, press ENTER again to confirm the selection. You also have the option to not let your intake fan activate when your temperature and/or humidity falls below the setpoints. The Stop When Below Setpoint function will run in conjunction with the F1 settings and gives you the ability to choose whether you want to run the F2 fan at minimum speed %, or turn the fan off completely when the temperature and / or humidity are below the setpoint. To set the “Stop When Below Setpoint” , press ENTER on the bottom square and it will start blinking. Use the UP or DOWN arrow to allow the check mark ✓ to appear on the screen, and then press ENTER again to confirm the selection.

System Settings

The “System” tab is where you will set your miscellaneous internal settings for your Tent-X Controller. There are many settings within the System Settings.

Unit of Measure: Set what format you’d like your unit of measurements to be for temperature EC, and your timeclock settings.

Manual Override: You can also manually override your controller device modules on this page. That allows you to test and make sure all of the device modules are connected and working properly with the controller.

QR Code: You can scan the QR code to pair your smart device (app) with the controller.

System Reset: There are three options to choose from within the System Reset menu. Device Reset allows the user to reset ONLY the device module addressing. The Factory Reset can be used to resolve some major problems within the controller, or if the user just wants to return the unit to factory settings. You can also update the TCS-1 internal firmware by selecting Firmware update.

Calibration: You can calibrate the various sensors you are using inside the grow tent by selecting the Calibration page. There you will find options to calibrate the environmental sensors, and water monitoring sensors.

***Note:** The MBS-PAR sensor does not require calibration.

DeadBand: You can set your deadband setpoints that will be used with your connected device modules. The deadband settings determine the temperature or humidity level that each module will turn on, and turn off again.

Water Detectors: This page will show you the status of the optional Water Detectors. Here you can select one of two modes for the Water Detectors, Leak sensor or water confirmation sensor.

WD Delay Time: Here you can set your Water detectors delay time.

Alarm Settings: On the Alarm setting page, you can set your high and low limit alarm settings for your climate, nutrients, and grow medium. When the values exceed or drop below the defined Maximum and Minimum setpoint in the alarm settings, you will immediately be notified on the controller and through TrolMaster's app, TM+ Pro.

EC Fan Control The EC fan control settings determine the range of temperature and humidity that the fan will change speed. For example, if the user Temperature setpoint is 80°F, and the Temperature Variable Range is set to 5°F, the fan will operate at varying speeds unless the temperature was to rise above 85°F (80+5 = 85). If the temperature or humidity goes above this temp range setting, the exhaust fan will operate at the maximum fan speed set by the user in the F1 settings. As the temperature or humidity drops back towards the temperature setpoint, the fan will gradually slow down and resume to the minimum speed set by the user in a linear fashion. The same effect happens with the Humidity Variable Range setting.

FIRMWARE UPDATES

When first installing your controller, you should verify that it has the most recent version of the operating system / firmware. Update to the latest firmware for bug fixes and new functions that are added to the unit. Visit our website to find out the most updated version of the firmware. You will then save and copy the newest firmware to a MicroSD card that is 32 gb or less. To update the firmware, insert the MicroSD card in the TCS-1 slot then go to the System Settings page and choose system reset. At the bottom you will see the current Firmware version that is installed. To install the update, choose Firmware Update and follow the prompts to select the file to update to.

SPFCIFICATIONS

Input Voltage: 100-240VAC, 50/60Hz

Degree of Ingress Protection: IP20

Max Distance to Device to be Connected: 1000 Meters

Temperature Range: 32~138°F

Temperature Accuracy: $\pm 1^\circ\text{F}$

Temperature Deadband: 3°F

Humidity Range: 5~95%

Humidity Accuracy: $\pm 5\%$

Humidity Deadband: 5%

CO2 Range: 0~2000 PPM

CO2 Accuracy: ± 50 PPM

CO2 Deadband: 50 PPM

Working Temperature: 32~122°F

Working Humidity: 5~95%RH

Important!

Do not allow the Tent-X to be exposed to water or excessive heat. Do not open or attempt to open the Tent-X to repair or disassemble the controller, as there are no user-serviceable parts inside. Opening the controller will void the warranty. If you'd like to clean the surface of the controller, wipe it with a damp cloth. The Tent-X operates under natural ventilation conditions and is suitable to receive power from a conventional household outlet.

For any issues or concerns with our products, DO NOT return them to the store. Please contact our tech support department at support@trolmaster.com or call **877-420-9876**.

November 2025 ©2025 TrolMaster™ All rights reserved.

German

Tent-X (TCS-1) Benutzerhandbuch

ÜBERBLICK

Herzlichen Glückwunsch zum Kauf des hochmodernen All-in-1-Steuerungssystems Tent-X. Dieses Gerät wurde für Einzonen-Growzelte entwickelt und ist in der Lage, alle Umwelt- und Bewässerungsanforderungen Ihres Growzeltes zu erfüllen. Der TCS-1 / Tent-X ist das Gehirn, das alle Ihre Klima- und Bewässerungsgeräte in einem Controller vereint. Dadurch können ALLE Ihre Geräte zusammenarbeiten, um die optimale Wachstums Umgebung für Ihre Pflanzen zu schaffen. Mit dem TENT-X können Benutzer sowohl ihre Umgebung als auch die Bewässerungsdüngung Systeme in ihrem Growzelt mit einem einfach zu bedienenden und kostengünstigen Controller überwachen und steuern. Das Tent-X eignet sich zur Steuerung von Growzelten aller Größen. Es kann EC-Lüfter, Lufttemperatur, Luftfeuchtigkeit, CO2 und Beleuchtung steuern und überwachen. Es kann auch alle Ihre Bewässerungsgeräte in Ihrem Zelt überwachen und steuern, einschließlich pH-Wert, EC, Wassertemperatur und VWC (Volumetrischer Wassergehalt).

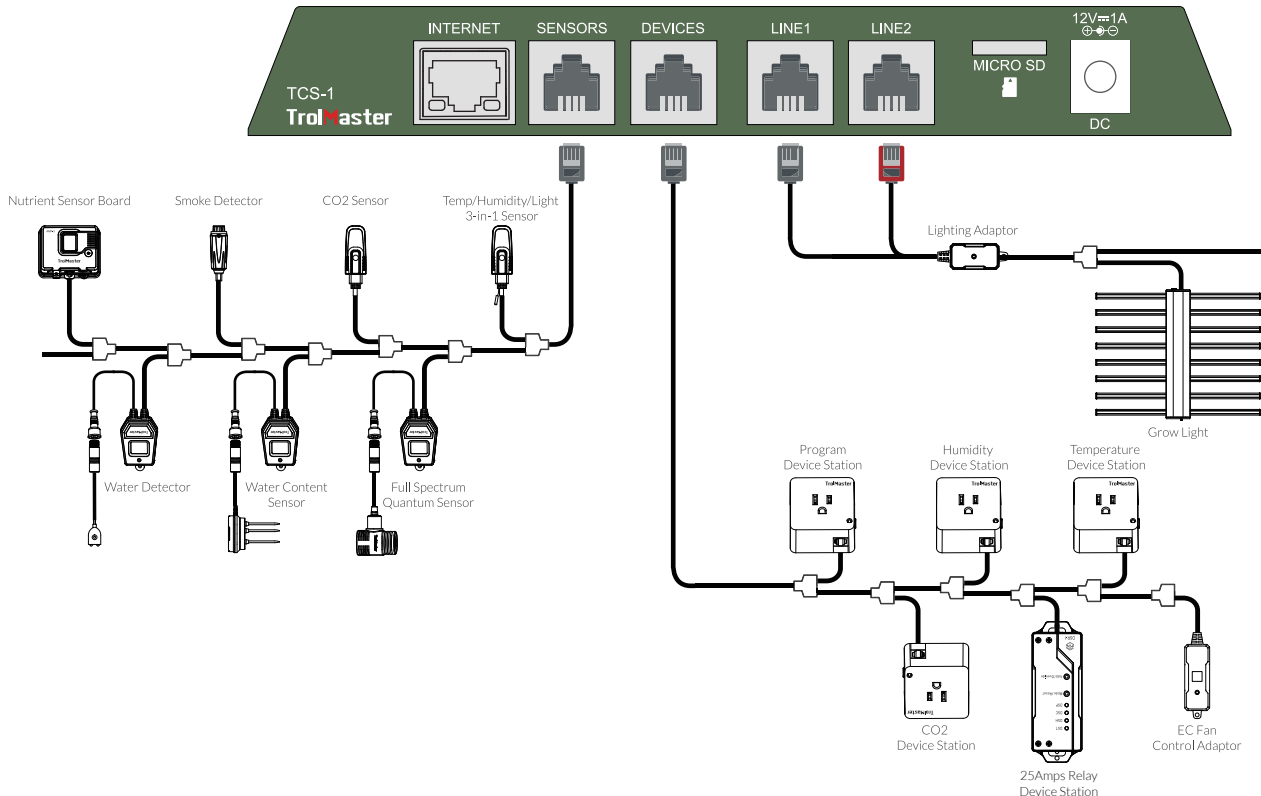
PACKUNGSGEHALT

Der TCS-1-Controller wird mit dem Hauptcontroller, einem MBS-TH-Sensor, einem 12-VDC-Netzteil und einem Standard Kabelsatz mit einem 4 und 16 Fuß langen RJ-Kabel und einem Y-Splitter geliefert. Die anderen Teile, aus denen Ihr Steuerungssystem besteht, werden je nach Bedarf für jeden Benutzer separat erworben.

ANWEISUNGEN

Installieren Sie den Tent-X mit der mitgelieferten Rückplatte, die im Lieferumfang des Controllers enthalten ist, an einer Wand. Es handelt sich um eine einfache feste Wandhalterung. Lösen Sie einfach den Controller von der Halterung, indem Sie ihn aus der Halterung ziehen, und befestigen Sie die Halterung dann mit Schrauben an der Wand. Anschließend können Sie den Controller wieder in die Halterung einsetzen, indem Sie ihn einfach in die Halterung schieben. Es rastete ein. Anschließend können Sie mit der Installation und Verbindung Ihrer Sensoren und Geräte Module mit dem TCS-1 über unsere Standard-RJ12-Kabel beginnen.

Die miteinander verbundenen RJ12-Kommunikationskabel sind in verschiedenen Längen erhältlich. Es ist wichtig, die richtige Länge zu wählen, die zu Ihrer Anwendung passt. Beim Kauf des TCS-1 TENT-X-Steuerungssystems erhalten Sie im Lieferumfang ein RJ12-Kabelset bestehend aus einem 4 Fuß und 16 Fuß langen RJ-Kabel und einem Y-Splitter. Zu jedem Gerätemodul und optionalen Sensor, den Sie kaufen, gehört auch der Standard-RJ12-Kabelsatz. Zusätzliche ECS-1-Kabelsätze können erworben werden.



1. Sensoranschlüsse

Alle mit dem TENT-X verwendeten Sensoren werden an den RJ12-Anschluss mit der Bezeichnung SENSORS an der Unterseite des Geräts angeschlossen. Schließen Sie zunächst ein RJ12-Kabel an den Port an und verbinden Sie dann das andere Ende entweder mit einem Y-Splitter oder dem Splitter-Hub (SPH-1) von TrolMaster. Wenn Sie den Y-Splitter verwenden, können Sie den ersten Sensor anschließen und dann weitere Y-Splitter verwenden, um jeden weiteren Sensor hinzuzufügen. Beim Anschluss mehrerer Sensoren kann es einfacher sein, einen einzelnen SPH-1 mit 8 Anschlüssen anstelle mehrerer Y-Splitter zu verwenden. Nachfolgend finden Sie alle Sensortypen, die an den TCS-1 angeschlossen werden können, sowie die maximale Anzahl, die angeschlossen werden kann.

1x MBS-TH:	3-in-1 Temperatur-, Feuchtigkeits- und Lichtsensor. *Im Lieferumfang des TCS-1 enthalten.
1x MBS-S8:	CO2-Sensor
1x MBS-PAR:	Vollspektrum-Quantensensor
1x MBS-SD:	Rauchmelder
2x WD-1:	Wassermelder
1x AMP-3:	Verstärker zum Anschluss der pH- und EC-Sonden
1x PCT-1, 2 oder 3:	EC- und Temperaturfühler
1x PPH-1, 2 oder 3:	PH-Sonde
1x WCS-1, 2 oder 3:	Wassergehalts Sensor oder WCS-2: Wassergehalt + EC-Sensor

Sobald alle Sensoren an den SENSOR-Anschluss des TCS-1 angeschlossen sind, müssen Sie bei einigen Sensoren die kleine Taste an den Sensoren drücken, um jeden Sensor mit dem TCS-1-Controller zu verbinden oder zu „adressieren“. Der TENT-X-Controller weist den Sensoren dann automatisch nacheinander eine Adresse zu. Sobald die Sensoren adressiert sind, werden die Adressen gespeichert, es sei denn, der Benutzer führt im System Einstellungsmenü einen Werks- oder Sensor-Reset durch.

2. Lichtverbindungen

Der TCS-1 kann die meisten Marken von LED- oder HID-Leuchten steuern, indem er die beiden integrierten Beleuchtungssteuerkanäle des TCS-1 verwendet. Jeder der beiden Kanäle kann unabhängig voneinander betrieben werden, sodass zwei verschiedene Arten oder Marken von Leuchten gesteuert werden können. Um Ihre Leuchten zu steuern, müssen Sie zunächst einen der LMA-Beleuchtungsadapter von TrolMaster an die RJ12-Anschlüsse an der Unterseite des Controllers anschließen, die mit „Line 1“ und „Line 2“ gekennzeichnet sind. TrolMaster bietet verschiedene Arten von Beleuchtung Adaptern für verschiedene Marken und Arten von Leuchten an. Wenn Sie Fragen dazu haben, welcher Adapter für Ihre Leuchten geeignet ist, wenden Sie sich an den technischen Support oder besuchen Sie die Tent-X-Seite auf der Website von TrolMaster unter www.trolmaster.com. Da jeder der beiden Lichtsteuerkanäle unabhängig ist, kann jede Steuerleitung so eingerichtet werden, dass sie ihre eigenen Timereinstellungen und Dimm Temperatur Sollwerte sowie den Dimm- und Leistungs Prozentsatz hat, mit dem jede Lichtgruppe betrieben wird.

3. Gerätemodul Anschlüsse

Es gibt mehrere Geräte Module, die mit dem TCS-1 verwendet werden können. Alle mit dem TCS-1 verwendeten Geräte Module werden an den RJ12-Anschluss an der Unterseite des Controllers angeschlossen, der mit DEVICES gekennzeichnet ist. Schließen Sie zunächst ein RJ12-Kabel an den Port an und verbinden Sie dann das andere Ende entweder mit einem Y-Splitter oder dem Splitter-Hub (SPH-1) von TrolMaster. Wenn du Schließen Sie über den Y-Splitter ein Gerätemodul an einen der beiden Ports und ein weiteres Gerätemodul an den zweiten Port an oder schließen Sie einen weiteren Y-Splitter an den zweiten Port an, um eine Daisy-Chain-Verbindung zum Anschluss weiterer Geräte Module herzustellen. Wiederholen Sie den Vorgang, um alle Geräte Module an den DEVICES RJ12-Port des TCS-1-Controllers anschließen. Beim Anschluss mehrerer Geräte Module kann es einfacher sein, einen einzelnen SPH-1 mit 8 Ports anstelle mehrerer Y-Splitter zu verwenden. Sobald alle Geräte verbunden sind, drücken Sie die kleine Taste an den Geräten Modulen, um jedes Modul mit dem TCS-1-Controller zu verbinden oder zu „adressieren“. Der TENT-X-Controller weist den Geräte Modulen nacheinander eine Adresse zu. Sobald die Geräte Module adressiert sind, werden die Adressen gespeichert, es sei denn, der Benutzer führt im System Einstellungsmenü einen Werks- oder Geräteset durch.

Es gibt individuelle Grenzen, wie viele Geräte Module an den TCS-1 angeschlossen werden

können. Temperatur = 2 ----- Heizen oder Kühlen
Luftfeuchtigkeit = 2 ----- Entfeuchten oder Befeuchten
CO2 = 2 ----- CO 2-Gehalt erhöhen oder verringern
Timer-Geräte = 4 ----- Recycling- oder Zeitplan-Timer

Nachfolgend finden Sie eine Liste aller Geräte Module, die mit dem TCS-1 verwendet werden können.

2 x DSC-1:	Gerätestation für CO ₂
2 x DSH-1&2:	Gerätestation für Feuchte
2 x DST-1&2:	Gerätestation für Temperatur
2 x DSP-1&2:	Gerätestation zur Motorsteuerung
* DSD-1:	Trockenkontakt-Gerätestation mit Schließer- und Öffnerkontakten. *Universelles Modul
* DSV-1:	Niederspannungsgeräte Station (12-24 V, AC/DC) *Universelles Modul
* DCC-1:	Dual-Condition-Adapter, ermöglicht einer einzelnen DS-Gerätestation zwei Steuerungseinstellungen *Universelles Modul
* DSR-1:	25A Relais-Gerätestation (100–277V~, 50/60Hz) *Universelles Modul
2 x ARS-1:	Mini-Split-AC-Steuermodul, steuert die meisten Mini-Splits. *Weitere Informationen darüber, welche Mini-Splits gesteuert werden können und welche nicht, finden Sie auf der TrolMaster-Website.
* 4RS-2:	Das 4RS-2-Gerätemodul wurde speziell für den TCS-1 entwickelt. Es bietet ein einziges Steuermodul mit vier separat gesteuerten Steckdosen. Jeder 4RS-2 kann ein Temperatur- und ein Feuchtigkeitsgerät sowie zwei separate zeitgesteuerte Geräte wie Lüfter oder Pumpen steuern. *Bei Verwendung des 4RS-2-Moduls werden 1 Temperatur-, 1 Luftfeuchtigkeits- und 2 Timer-Slots verbraucht.

***Hinweis:** Beachten Sie die maximale Anzahl jedes Gerät Moduls, die wie oben angegeben angeschlossen werden kann.

4. Anschlüsse der EC-Lüfter

Der TCS-1 kann EC-Ventilatoren steuern. Wir werden diese Ventilatoren in zwei Kategorien einteilen: Standard-EC-Ventilatoren und Aerofan-EC-Ventilatoren.

Mit dem optionalen EFC-1-Lüfter-Schnittstellenmodul können Standard-EC-Lüfter, die über ein 0-10-Volt- oder PWM-Signal gesteuert werden können, an den TCS-1 angeschlossen werden. Benutzer können zwei EC-Lüfter gleichzeitig steuern, kategorisiert als F1 und F2. Jeder Lüfter wird an einen separaten EFC-1 angeschlossen, der an den RJ12-Port des Geräts angeschlossen wird. Der erste und primäre Ventilator, F1 genannt, kann als Abluftventilator zur Regelung von Temperatur und Luftfeuchtigkeit verwendet und gesteuert werden. Wenn die Temperatur oder Luftfeuchtigkeit steigt, erhöht sich auch die Lüftergeschwindigkeit. Der zweite Lüfter, F2, kann optional so verwendet und gesteuert werden, dass er mit einer etwas langsameren Geschwindigkeit als F1 läuft und als Absaugventilator fungiert, um den gewünschten Unterdruck im Growzelt zu erzeugen.

Steuerung von Standard-EC-Ventilatoren: Im Tent-X-System können EC-Ventilatoren mit den optionalen EFC-1-Steuer Adaptern gesteuert werden. Mit den EFC-1-Steuer Adaptern können Sie 0-10-Volt- oder

PWM-EC-Lüfter steuern, die Sie bei der Ersteinrichtung des EFC-1 auswählen können. Die EFC-1-Stromadapter können die Geschwindigkeit des Abluftventilators und des Ansaug Ventilators steuern, wodurch die Temperatur, die Luftfeuchtigkeit und der Unterdruck im Growzelt so manipuliert werden können, dass sie dem gewünschten Ergebnis des Benutzers entsprechen. Mit zwei der EFC-1-Adapter können bis zu 2 Lüfter gesteuert werden.

EC-Lüfter der Marke Aerofan benötigen kein optionales EFC-1, da sie direkt an den RJ12-Port des Gerätes Moduls am TCS-1 angeschlossen werden können. Der TCS-1 kann entweder einen einzelnen Aerofan oder mehrere Aerofans steuern, wobei für alle angeschlossenen Lüfter dieselben Benutzereinstellungen verwendet werden. Mit den mitgelieferten Daisy-Chain-Kabeln können mehrere Aerofans miteinander verbunden werden. Anschließend kann diese Lüfter Gruppe an den TCS-1-Geräte Port angeschlossen werden. Sobald die Verbindung hergestellt ist, kann der Benutzer die Einstellungen für den Betrieb der Aerofans auswählen.

***Hinweis:** Die Funktion „Swing “ wird nur für Aerofans verwendet, die eine oszillierende Bewegung haben. Bei Verwendung der Aerofan-Steuerungsoption steht nur eine einzige EC-Lüfter Einstellung zur Verfügung.

***Hinweis:** Um bei Verwendung der Aerofans einen Unterdruck in einem Growzelt zu erzeugen, wählen Sie einen größeren Lüfter für den Auslass und einen kleineren Lüfter für den Einlass.

Steuerung von Aerofan EC-Lüftern: Aerofan-Lüfter können auf zwei Arten an den TCS-1 angeschlossen werden. Aerofans benötigen keinen Adapter, um sie mit dem TCS-1-Controller zu steuern. Der einfachste Weg, Aerofan-Lüfter an den TCS-1 anzuschließen, besteht darin, das Kommunikationskabel des/der Lüfter(s) direkt in den DEVICE-Port des TCS-1 einstecken. Alle zu steuernden Lüfter würden mithilfe der mitgelieferten Kabel miteinander verkettet und dann an den Geräteanschluss des TCS-1 angeschlossen. Sobald die Verbindung hergestellt ist, werden diese Lüfter basierend auf den Einstellungen auf der Seite „EC-Lüfter “ gesteuert. Sie können sich auch dafür entscheiden Verwenden Sie das optionale FRC-1 Fan Remote Control-Modul. Der FRC-1 bietet eine einfache und manuelle Methode zum Anpassen der Aerofan-Geschwindigkeiten. Der FRC-1 wird über das mitgelieferte Y-Kabel inline mit den Lüftern verbunden, das andere Ende des Y-Kabels wird mit dem TCS-1 verbunden. Normalerweise steuert der TCS-1 die Lüftergeschwindigkeit, basierend auf der Benutzereinstellung im TCS-1. Wenn jedoch der FRC-1 angeschlossen ist, kann der FRC-1 durch Drehen des manuellen Knopfs am FRC-1 vorübergehend die Lüftergeschwindigkeit, basierend auf der manuellen Geschwindigkeitseinstellung des Benutzers steuern. Nach 30 Minuten Inaktivität auf dem FRC-1 werden die Aerofans, die mit dem FRC-1 und dem TCS-1 verbunden sind, wieder vom TCS-1 gesteuert.

5. Internetverbindung

Sie können Ihr TENT-X mit dem Internet verbinden, um auf Fernüberwachung, Benachrichtigungen und Steuerung Ihres Controllers zuzugreifen. Um den Controller mit Ihrem Internet zu verbinden, empfiehlt TrolMaster die Verwendung eines fest verdrahteten Cat 5/6-Kabels, das an den Ethernet-Port an der Unterseite des TCS-1 angeschlossen wird. Nachdem Sie Ihr TENT-X mit dem Internet verbunden haben, laden Sie die TrolMaster-App TM+ Pro auf Ihr Smartphone herunter. Sie können dann über Ihr Smartphone auf Echtzeitdaten zugreifen und die mit dem Tent-X verbundenen Geräte fernsteuern, sodass Sie unabhängig

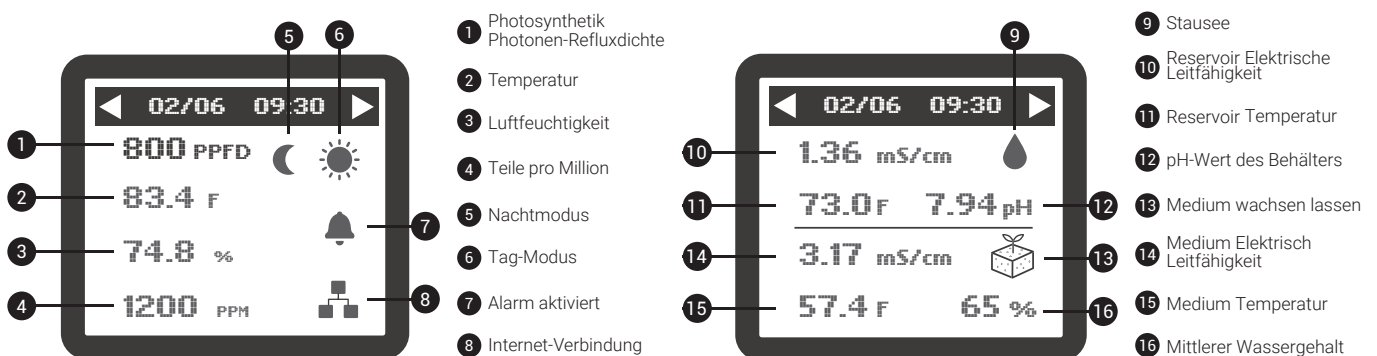
von Ihrer Wachstums Umgebung reisen können. TrolMaster-Benutzer können außerdem ihre Fortschritte teilen, mit anderen Züchtern interagieren, auf historische Daten zugreifen und auf viele nützliche Funktionen in der App zugreifen.

***Hinweis:** Der TCS-1 verfügt über kein integriertes WLAN. Wenden Sie sich für Optionen im Zusammenhang mit der Verwendung einer WLAN-Verbindung an den technischen Support von TrolMaster, da die meisten im Handel erhältlichen WLAN-Repeater (mit Ethernet-Anschlüssen) NICHT mit TrolMaster-Controllern kompatibel sind.



Haupt-Schnittstelle

Wenn Sie das Tent-X zum ersten Mal anschließen, landen Sie auf der Startseite auf dem LCD-Display. Hier werden die Sensordaten für das Growzelt angezeigt. Drücken Sie die Pfeile „LINKS “ und „RECHTS “, um zwischen den Klimaparameterdaten, den Nährstoff- und Wachstumsmedium-Überwachungsdaten, der Gerätestatusseite und der Alarmbenachrichtigungsseite zu wechseln. Jede Seite bietet spezifische Informationen zum Tent-X. Das Tent-X überwacht ständig Ihr Klima sowie Ihre Nährstoff- und Wachstumsmedium Daten in Echtzeit:



Alarm Benachrichtigungen

Auf der Alarmbenachrichtigung Seite werden alle Ihre Alarm Benachrichtigungen zusammengefasst. Hier können Sie verpasste Alarm Benachrichtigungen überprüfen und Ihre Einstellungen entsprechend anpassen.

Das Menü/die Seiten verstehen

Es gibt 4 Hauptmenü Seiten auf dem TCS-1. Wenn Sie den Controller zum ersten Mal einschalten, wird die Startseite angezeigt. Auf dieser Seite können Sie die aktuellen Umgebungsbedingungen im Zelt sehen. Durch Drücken der rechten Pfeiltaste gelangen Sie zu den aktuellen Bewässerung Bedingungen. Sie können auch die linke Pfeiltaste verwenden, um den Gerätestatus und die Alarmmeldung Seiten anzuzeigen. Auf der Gerätestatus Seite wird der aktuelle Status (Ein/Aus) jedes mit dem TCS-1 verbundenen Geräts angezeigt. Auf der Alarmseite werden die aktuellsten Alarmmeldungen angezeigt.

Setting	
Day & Night Climate	
Light	Device
EC Fan	System

TCS-1-Einstellungsseiten

Wenn Sie im Hauptmenü des TCS-1 die EINGABETASTE am Tent-X drücken, gelangen Sie zu einer Einstellungsseite, die aus fünf Blöcken besteht, wobei jeder Block auf eine bestimmte Seite mit Einstellungen für Klimaeinstellungen, Beleuchtung, Geräte und EC-Ventilatoren zugreift und Systemeinstellungen.

Day Setpoint		
Temp	Humid	CO2
70 °F	65 %	1200 ppm
Night Setpoint		
Temp	Humid	CO2
55 °F	50 %	400 ppm

Tag- und Nacht Klima

Nachdem Sie auf der Registerkarte Tag- und Nacht Klima die Eingabetaste gedrückt haben, wird die Seite geöffnet, auf der Sie die Temperatur, Luftfeuchtigkeit und den CO2-Gehalt im Growzelt für Tag und Nacht einstellen können. Nachdem die Klimaparameter eingestellt wurden, behalten die mit dem Tent-X verbundenen Klimageräte diese Einstellungen automatisch bei.

Lighting
Line 1
Line 2

Beleuchtung

Nachdem Sie ENTER am Lichtblock gedrückt haben, zeigt der Bildschirm Linie 1 und Linie 2 an. Wählen Sie mit den AUF- und AB-Pfeilen Linie 1 oder Linie 2 aus und drücken Sie ENTER, um zu der Seite zu navigieren, auf der Sie Änderungen an der ausgewählten Linie vornehmen können.

Line 1 Lighting	
Mode	LED
Power	100%
On at	20:00
Off at	08:00
Dim at	84 °F
Stop at	89 °F
Sun R/S time	OFF

Auf dieser Seite können Sie Ihre Lichteinstellungen erstellen. Navigieren Sie mit den AUF- und AB-Tasten durch die Optionen auf dieser Seite und drücken Sie bei einem Element die EINGABETASTE, um es zu ändern. Wenn das Element blinkt, können Sie mit den Pfeiltasten NACH OBEN und NACH UNTEN zwischen den Auswahlmöglichkeiten wechseln. Wenn Sie Ihr Element ausgewählt haben, drücken Sie erneut ENTER, um die Auswahl zu bestätigen. Wählen Sie aus, ob Sie HID- oder LED-Leuchten verwenden. Sie können auch die Ein-/Ausschaltzeit Ihrer Lichter, die Temperatur, bei der die Lichter gedimmt werden, die Sonnenaufgangs- und Sonnenuntergangszeit und mehr auswählen.

Devices Setting			
T1 Heat		T2 Cool	
H1 Humid		H2 Dehumid	
C1 In		C2 Out	
P1	P2	P3	P4

Geräte

Auf der Registerkarte „Geräte“ richten Sie Ihre Klimageräte ein. Durch den Einsatz unserer steckbaren DS-Module können Sie die Geräte über den Controller anschließen und steuern. TrolMasters Tent-X kann mehrere Geräte Module steuern.

Wenn Sie die Seite „Geräte“ öffnen, können Sie dort auswählen, was jedes Ihrer Connect-Geräte Module steuern soll. Ihnen stehen jeweils 2 Geräte Steckplätze für Temperatur T1 & T2, Luftfeuchtigkeit H1 & H2 und CO2 C1 & C2 zur Verfügung. Sie können auch 4 programmierbare Timer-Geräte einstellen, die mit P1 bis P4 beschriftet sind.

Bewegen Sie den Cursor auf die Gerätemodul Einstellung, die Sie ändern möchten. Drücken Sie ENTER, um auf die Geräteeinstellungen zuzugreifen. Anschließend können Sie die Pfeile NACH OBEN oder NACH UNTEN verwenden. Wählen Sie aus, welche Art von Gerät mit dem Tent-X verbunden ist. Wenn Sie mit der Auswahl des angeschlossenen Geräts für jedes Gerätemodul fertig sind, drücken Sie erneut ENTER, um die Auswahl zu bestätigen.

Mit den Programmgerät Modulen können entweder weitere Klimageräte oder zeitgesteuerte Bewässerungsgeräte wie Magnetventile und Pumpen angeschlossen werden. Wenn Sie Bewässerungsgeräte anschließen möchten, um Bewässerungspläne einzurichten, können Sie die DSP1- oder 2-Module (120 oder 240 V) oder das DSV-1 (12–24 V AC/DC) verwenden, um Ihre bevorzugten Zeitpläne einzurichten. Um ein Gerät nach Zeitplan zu programmieren, drücken Sie ENTER auf einer der Programm Registerkarten von P1 bis P4. Auf dem LCD-Bildschirm werden dann drei Optionen angezeigt, mit denen Sie festlegen können, welche Art von Zeitplan Sie festlegen möchten. Wenn Sie die Einstellung „Einzelplan“ wählen, müssen Sie nur zwei Timer einstellen. Sie geben einfach ein, wann das Gerät ein- und wann es sich ausschalten soll. Wenn Sie die Multi-Zeitplan-Einstellung wählen, können Sie für jedes Gerät bis zu 12 individuelle Ein- und Ausschaltzeiten festlegen, die innerhalb eines 24-Stunden-„Tages“ folgen. Wenn Sie sich für die Verwendung des Recycling-Timer-Modus entscheiden, können Sie die Dauer der Ein- und Ausschaltzeit festlegen. Der Recycling-Timer-Modus wiederholt dann denselben Zeitplan für die Ein-/Aus-Dauer so oft Sie möchten und funktioniert dabei wie folgt: Wiederholungszyklus-Timer. Sie können auch die Tageszeit auswählen, zu der der Wiederholungszyklus beginnen soll, und festlegen, wie viele Zyklen wiederholt werden, bevor die Timer bis zum nächsten Tag abgeschaltet werden. Der Tent-X-Controller erledigt den Rest, sobald Sie Ihren bevorzugten Bewässerungsplan eingerichtet haben. Ihre timer gesteuerten Geräte werden mit dem TCS-1 automatisch entsprechend den von Ihnen festgelegten Einstellungen gesteuert.

Setting	
Day & Night Climate	
Light	Devices
EC Fan	System

EC-Lüfter Einstellungen

Lüfter F1: Es gibt 4 Modi für den F1-Lüfter mit separaten Einstellungen für Tag und Nacht. Zu diesen 4 Modi gehören:

- **Nur-Kühl-Modus:** Der Abluftventilator wird ausschließlich durch die Temperatur im Growzelt gesteuert
- **Dehu-Only-Modus:** Der Abluftventilator wird ausschließlich durch die Luftfeuchtigkeit im Growzelt gesteuert
- **Kühl Prioritätsmodus:** Der Abluftventilator wird sowohl über die Temperatur als auch über die Luftfeuchtigkeit gesteuert. Wenn jedoch beides nicht erreicht werden kann, priorisiert er die Temperatur innerhalb des definierten Bereichs.
- **Dehu-Prioritätsmodus:** Der Abluftventilator wird sowohl über die Temperatur als auch über die Luftfeuchtigkeit gesteuert. Er priorisiert jedoch die Luftfeuchtigkeit, die innerhalb des definierten Bereichs liegt, wenn beides nicht erreicht werden kann.

Setting	
Exhaust Fan (F1)	
Intake Fan (F2)	

Auf der F1-Einstellungsseite können Sie auch die minimale und maximale Lüftergeschwindigkeit festlegen, mit der der Abluftventilator arbeiten kann. Wenn Sie nur einen einzelnen Abluftventilator verwenden, können Sie durch Einstellen der Mindestgeschwindigkeit des Ventilators auf über 0 % einen Unterdruck im Zelt gewährleisten, auch wenn der TCS-1 keine Kühlung benötigt. Durch Einstellen der maximalen Geschwindigkeit, mit der der Lüfter betrieben werden kann, kann der Benutzer auswählen, wie schnell und wie laut der Lüfter bei voller Geschwindigkeit arbeiten soll.

Drücken Sie ENTER bei „Exhaust Fan (F1) “ und Sie gelangen auf die Seite, auf der Sie die Lüftereinstellungen festlegen können. Als Erstes müssen Sie den Modus auswählen, in dem der Lüfter betrieben werden soll. Drücken Sie die Eingabetaste und verwenden Sie dann die Aufwärts-/Abwärts Pfeile, um den gewünschten Modus auszuwählen, und drücken Sie dann die Eingabetaste. Als nächstes können Sie die minimale Lüftergeschwindigkeit auswählen. Anschließend wählen Sie die maximale Lüftergeschwindigkeit aus. Sie können die CO2-Funktion auch deaktivieren, wenn der Lüfter läuft. Bewegen Sie den Cursor auf dem Bildschirm nach unten zu CO2 Interlock, verwenden Sie dann die Aufwärts- oder Abwärtspfeiltaste, um das Häkchen ✓ auf dem Bildschirm erscheinen zu lassen, und drücken Sie erneut ENTER, um die Auswahl zu bestätigen. Je nachdem, wie Sie es einrichten, erhöhen die Lüfter ihre Geschwindigkeit, wenn die Temperatur oder Luftfeuchtigkeit steigt, und verlangsamen (oder stoppen), wenn die Temperatur und Luftfeuchtigkeit sinken. Da die Ventilatoren in einem „offenen Regelkreis “ zusammenarbeiten, können Sie die Umgebung im Zelt mithilfe von Frischluft genau steuern.

***Hinweis:** Die Funktion „Swing “ wird nicht zur Steuerung von Standard-EC-Ventilatoren verwendet.

Setting	
Exhaust Fan (F1)	
Intake Fan (F2)	

iLüfter F2: Die F2-Lüfter Einstellungen gelten für den optionalen zweiten Lüfter, der als Ansaugfilter installiert werden kann. Der Absaugventilator kann so eingestellt werden, dass er mit einer etwas niedrigeren Geschwindigkeit arbeitet als der F1-Ventilator, wodurch automatisch ein Unterdruck im Growzelt entsteht. Der Benutzer kann die prozentuale „Differenz “ auswählen und festlegen, ob der Lüfter abgeschaltet oder weiterlaufen gelassen werden soll, wenn er unter dem Temperatur- oder Feuchtigkeits Sollwert liegt. Der Benutzer kann seine Ansaugventilator Einstellungen im F2-Block anpassen. Während ein einzelner Abluftventilator verwendet werden kann, können wir den Unterdruck im Zelt steuern, indem wir einen separaten Absaugventilator hinzufügen

und ihn separat steuern. Mit der F2-Option können Sie den Unterdruck in Ihrem Zelt einstellen, indem Sie die Geschwindigkeit des Ansaugluft Ventilators verringern.

Drücken Sie ENTER bei „Absaugventilator (F2) “ und Sie gelangen auf die Seite, auf der Sie den gewünschten Unterdruck in Ihrem Growzelt einstellen können. Drücken Sie erneut ENTER und verwenden Sie die AUF- und AB-Pfeile, um Ihre Nummer auszuwählen. Drücken Sie erneut ENTER, um die Auswahl zu bestätigen. Sie haben auch die Möglichkeit, Ihren Absaugventilator nicht einzuschalten, wenn Ihre Temperatur und/oder Luftfeuchtigkeit unter die Sollwerte fällt. Die Funktion „Stopp bei Unterschreitung des Sollwerts “ wird ausgeführt in Verbindung mit den F1-Einstellungen und gibt Ihnen die Möglichkeit zu wählen, ob Sie den F2-Lüfter mit minimaler Geschwindigkeit % laufen lassen oder den Lüfter komplett ausschalten möchten, wenn die Temperatur und/oder Luftfeuchtigkeit unter dem Sollwert liegt. Um „Stop When Below Setpoint “ einzustellen, drücken Sie ENTER im unteren Quadrat und es beginnt zu blinken. Verwenden Sie die Pfeiltasten NACH OBEN oder NACH UNTEN, damit das Häkchen ✓ auf dem Bildschirm angezeigt wird, und drücken Sie dann erneut ENTER, um die Auswahl zu bestätigen.

Systemeinstellungen

Auf der Registerkarte „System “ legen Sie Ihre verschiedenen internen Einstellungen für Ihren Tent-X-Controller fest. In den Systemeinstellungen gibt es viele Einstellungen.

Maßeinheit: Legen Sie fest, welches Format Ihre Maßeinheit für die Temperatur EC und Ihre Zeit-Uhrinstellungen haben soll.

Manuelle Überschreibung: Auf dieser Seite können Sie Ihre Controller-Geräte Module auch manuell überschreiben. Auf diese Weise können Sie testen und sicherstellen, dass alle Geräte Module angeschlossen sind und ordnungsgemäß mit dem Controller funktionieren.

QR-Code: Sie können den QR-Code scannen, um Ihr Smart-Gerät (App) mit dem Controller zu koppeln.

System-Reset: Im Menü „System-Reset “ stehen drei Optionen zur Auswahl. Beim Geräte-Reset kann der Benutzer NUR die Adressierung des Gerätemodus zurücksetzen. Der Werksreset kann verwendet werden, um einige größere Probleme innerhalb des Controllers zu beheben oder wenn der Benutzer das Gerät einfach auf die Werkseinstellungen zurücksetzen möchte. Sie können die interne Firmware des TCS-1 auch aktualisieren, indem Sie Firmware-Update auswählen.

Kalibrierung: Sie können die verschiedenen Sensoren, die Sie im Growzelt verwenden, kalibrieren, indem Sie die Seite „Kalibrierung “ auswählen. Dort finden Sie Optionen zur Kalibrierung der Umweltsensoren und Wasser Überwachungssensoren.

***Hinweis:** Der MBS-PAR-Sensor erfordert keine Kalibrierung.

DeadBand: Sie können Ihre Deadband-Sollwerte festlegen, die mit Ihren angeschlossenen Geräte Modulen verwendet werden. Die Totzone Einstellungen bestimmen den Temperatur- oder Feuchtigkeitsgrad, bei dem jedes Modul ein- und wieder ausgeschaltet wird.

Wassermelder: Auf dieser Seite wird der Status der optionalen Wassermelder angezeigt. Hier können Sie einen von zwei Modi für die Wassermelder auswählen: Lecksensor oder Wasser Bestätigungs Sensor.

WD-Verzögerungszeit: Hier können Sie die Verzögerungszeit Ihres Wassermelders einstellen.

Alarmeinrichtungen: Auf der Seite „Alarmeinrichtungen “ können Sie Ihre oberen und unteren Grenzwert Alarmeinrichtungen für Ihr Klima, Ihre Nährstoffe und Ihr Wachstumsmedium festlegen. Wenn die Werte den in den Alarmeinrichtungen definierten maximalen und minimalen Sollwert überschreiten oder unterschreiten, werden Sie sofort auf dem Controller und über die TrolMaster-App TM+ Pro benachrichtigt.

EC-Lüftersteuerung Die **EC-Lüftersteuerung Einstellungen** bestimmen den Temperatur- und Feuchtigkeitsbereich, in dem der Lüfter seine Geschwindigkeit ändert. Wenn der benutzerdefinierte Temperatursollwert beispielsweise 80 °F beträgt und der variable Temperaturbereich auf 5 °F eingestellt ist, läuft der Lüfter mit unterschiedlichen Geschwindigkeiten, es sei denn, die Temperatur steigt über 85 °F (80 + 5 = 85 Fuß). Wenn die Temperatur oder Luftfeuchtigkeit diesen Temperaturbereich überschreitet, läuft der Abluftventilator mit der maximalen Ventilatorgeschwindigkeit, die der Benutzer in den F1-Einstellungen eingestellt hat. Wenn die Temperatur oder Luftfeuchtigkeit wieder in Richtung des Temperatursollwerts sinkt, verlangsamt sich der Ventilator allmählich und erreicht linear wieder die vom Benutzer eingestellte Mindestgeschwindigkeit. Der gleiche Effekt tritt mit der Einstellung „Feuchtigkeits Variablen Bereich“ auf.

FIRMWARE-UPDATES

Bei der Erstinstallation Ihres Controllers sollten Sie sicherstellen, dass er über die aktuellste Version des Betriebssystems/der Firmware verfügt. Aktualisieren Sie auf die neueste Firmware, um Fehler zu beheben und dem Gerät neue Funktionen hinzuzufügen. Besuchen Sie unsere Website, um die aktuellste Version der Firmware zu erfahren. Anschließend speichern und kopieren Sie die neueste Firmware auf eine MicroSD-Karte mit 32 GB oder weniger. Um die Firmware zu aktualisieren, stecken Sie die MicroSD-Karte in den TCS-1-Steckplatz, gehen Sie dann zur Seite „Systemeinstellungen“ und wählen Sie „System zurücksetzen“. Unten sehen Sie die aktuell installierte Firmware-Version. Um das Update zu installieren, wählen Sie „Firmware-Update“ und befolgen Sie die Anweisungen, um die Datei auszuwählen, auf die aktualisiert werden soll.

SPEZIFIKATIONEN

Eingangsspannung: 100-240VAC, 50/60Hz

Schutzart: IP20

Maximale Entfernung zum anzuschließenden Gerät: 1000 Meter

Temperaturbereich: 32~138°F

Temperaturgenauigkeit: ±1°F

Temperature Totzone: 3°F

Luftfeuchtigkeit Bereich: 5~95%

Luftfeuchtigkeit Genauigkeit: ±5%

Feuchtigkeits-Totzone: 5%

CO2-Bereich: 0~2000 PPM

CO2-Genauigkeit: ±50 PPM

CO2-Totzone: 50 PPM

Working Temperatur: 32~122°F

Working Luftfeuchtigkeit: 5~95%RH

Wichtig!

Setzen Sie das Tent-X weder Wasser noch übermäßiger Hitze aus. Öffnen Sie das Tent-X nicht und versuchen Sie nicht, es zu öffnen, um den Controller zu reparieren oder zu zerlegen, da sich im Inneren keine Teile befinden, die vom Benutzer gewartet werden können. Durch das Öffnen des Controllers erlischt die Garantie. Wenn Sie die Oberfläche des Controllers reinigen möchten, wischen Sie sie mit einem feuchten Tuch ab. Das Tent-X arbeitet unter natürlichen Belüftung Bedingungen und ist für die Stromversorgung über eine herkömmliche Haushaltssteckdose geeignet.

Français

Tent-X (TCS-1) Manuel d'utilisation du

APERÇU

Félicitations pour l'achat du système de contrôle tout-en-un de pointe, le Tent-X. Conçu pour les tentes de culture monozone, cet appareil est capable de satisfaire tous les besoins environnementaux et d'irrigation de votre tente de culture. Le TCS-1 / Tent-X est le cerveau qui réunit tous vos appareils de climatisation et d'irrigation en un seul contrôleur. Cela permet à TOUS vos appareils de fonctionner ensemble afin de créer l'environnement de croissance optimal pour vos plantes. Le TENT-X permet aux utilisateurs de surveiller et de contrôler à la fois leur environnement et les systèmes d'irrigation/fertirrigation au sein de leur tente de culture, à l'aide d'un contrôleur simple à utiliser et rentable. Le Tent-X convient pour contrôler toutes les tailles de tentes de culture. Il peut contrôler et surveiller les ventilateurs de type EC, la température de l'air, l'humidité, le CO2 et les lumières. Il peut également surveiller et contrôler tous vos appareils d'irrigation dans votre tente, y compris le pH, l'EC, la température de l'eau et le VWC (teneur volumétrique en eau).

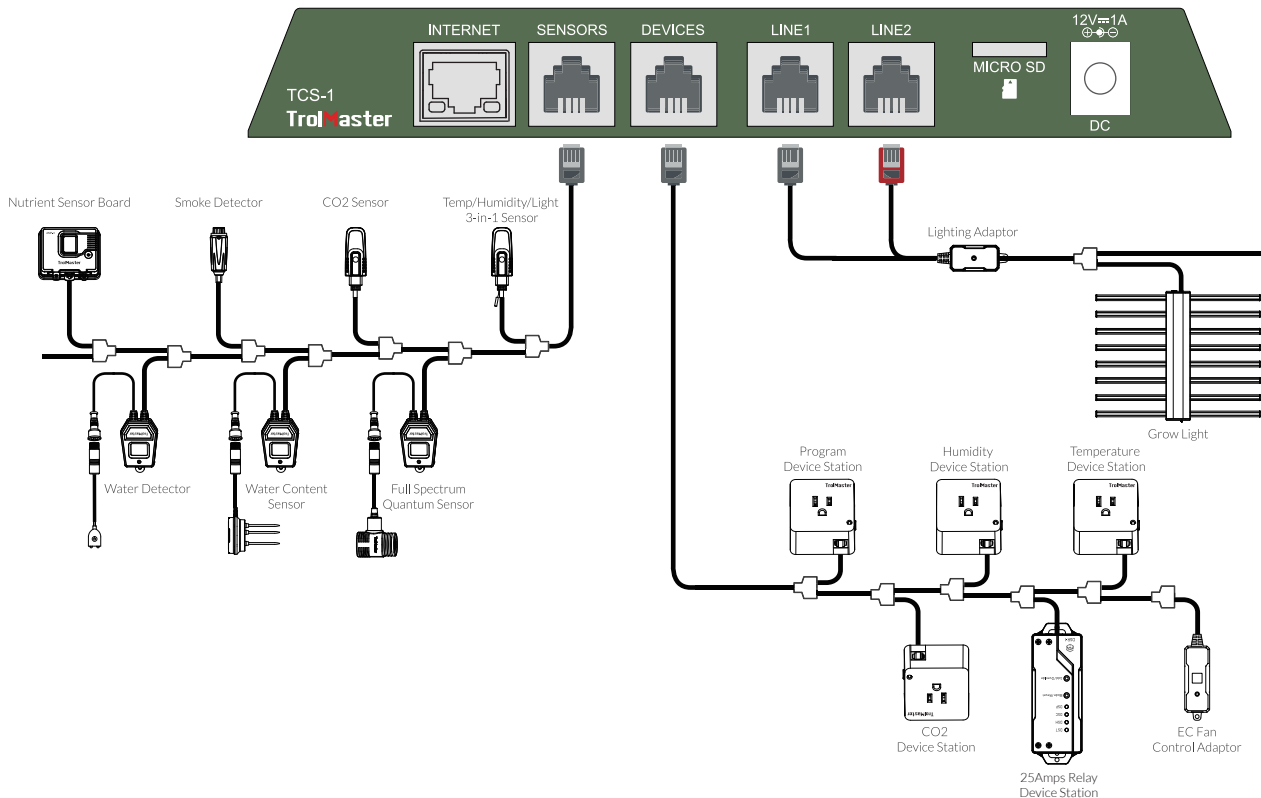
CONTENU DU COLIS

Le contrôleur TCS-1 est livré avec le contrôleur principal, un capteur MBS-TH, une alimentation 12 V CC et un kit de câbles standard avec un câble RJ de 4 et 16 pieds et un répartiteur en Y. Les autres pièces qui composeront votre système de contrôle seront achetées séparément selon les besoins de chaque utilisateur.

INSTRUCTIONS

Installez le Tent-X sur un mur à l'aide de la plaque arrière incluse dans l'emballage du contrôleur. Il s'agit d'un simple support mural fixe. Libérez simplement le contrôleur du support en tirant le contrôleur du support, puis fixez le support au mur à l'aide de vis. Vous pouvez ensuite replacer le contrôleur dans le support en poussant simplement le contrôleur dans le support. Il se verrouillera en place. Vous pouvez ensuite commencer à installer et connecter vos capteurs et modules d'appareils au TCS-1 à l'aide de nos câbles RJ12 standard.

Les câbles de communication RJ12 d'interconnexion sont disponibles en différentes longueurs. Il est crucial de choisir la bonne longueur adaptée à votre application. Lors de l'achat du système de contrôle TCS-1 TENT-X, vous recevrez un jeu de câbles RJ12 composé d'un câble RJ de 4 pieds et 16 pieds et d'un répartiteur en Y dans le cadre de l'emballage. Chaque module d'appareil et capteur en option que vous achetez sera également livré avec le jeu de câbles RJ12 standard. Des jeux de câbles ECS-1 supplémentaires peuvent être achetés.



TOUS les capteurs utilisés avec le TENT-X seront connectés au port RJ12 étiqueté SENSORS, au bas de l'unité. Tout d'abord, connectez un câble RJ12 au port, puis connectez l'autre extrémité à un répartiteur en Y ou au hub répartiteur de TrolMaster (SPH-1). Si vous utilisez le séparateur en Y, vous pouvez connecter le premier capteur, puis utiliser des séparateurs en Y supplémentaires pour ajouter chaque capteur supplémentaire. Lors de la connexion de plusieurs capteurs, il peut être plus facile d'utiliser un seul SPH-1 à 8 ports au lieu de plusieurs répartiteurs en Y. Vous trouverez ci-dessous tous les types de capteurs pouvant être connectés au TCS-1 et le nombre maximum pouvant être connecté.

1x MBS-TH :	capteur de température, d'humidité et de lumière 3 en 1. *Livré avec le TCS-1.
1x MBS-S8 :	capteur de CO2
1x MBS-PAR :	capteur quantique à spectre complet
1x MBS-SD :	détecteur de fumée
2x WD-1:	détecteur d'eau
1x AMP-3 :	Amplificateur pour connecter les sondes pH et EC
1x PCT-1, 2 ou 3 :	sonde EC et température
1x PPH-1, 2 ou 3 :	sonde PH
1x WCS-1, 2 ou 3 :	Capteur de teneur en eau ou WCS-2 : Teneur en eau + capteur EC

Une fois que les capteurs sont tous connectés au port SENSOR du TCS-1, certains capteurs nécessitent que vous appuyiez sur le petit bouton des capteurs pour relier ou « adresser » chaque capteur au contrôleur TCS-1. Le contrôleur TENT-X attribuera alors automatiquement une adresse aux capteurs de manière séquentielle. Une fois les capteurs adressés, les adresses seront enregistrées à moins que l'utilisateur n'effectue une réinitialisation d'usine ou du capteur dans le menu de configuration du système.

2. Connexions lumineuses

Le TCS-1 peut contrôler la plupart des marques de lumières LED ou HID à l'aide des deux canaux de contrôle d'éclairage intégrés au TCS-1. Chacun des deux canaux peut fonctionner indépendamment l'un de l'autre pour permettre de contrôler deux types ou marques de lumières différents. Afin de contrôler vos lumières, vous devez d'abord brancher l'un des adaptateurs d'éclairage LMA de TrolMaster dans les ports RJ12 situés au bas du contrôleur, étiquetés Ligne 1 et Ligne 2. TrolMaster propose plusieurs types d'adaptateurs d'éclairage pour différentes marques et types de lumières. Si vous avez des questions sur l'adaptateur adapté à vos lumières, contactez le support technique ou accédez à la page Tent-X sur le site Web de TrolMaster à l'adresse www.trolmaster.com. Étant donné que chacun des deux canaux de contrôle d'éclairage est indépendant, chaque ligne de contrôle peut être configurée pour avoir ses propres réglages de minuterie et ses propres points de consigne de température de gradation, ainsi que le pourcentage de gradation et de puissance auquel chaque groupe de lumières fonctionnera.

3. Connexions des modules de périphérique

Plusieurs modules de périphériques peuvent être utilisés avec le TCS-1. Tous les modules de périphérique utilisés avec le TCS-1 seront connectés au port RJ12 situé au bas du contrôleur, étiqueté DEVICES. Tout d'abord, connectez un câble RJ12 au port, puis connectez l'autre extrémité à un répartiteur en Y ou au hub répartiteur de TrolMaster (SPH-1). Si tu chantez le répartiteur en Y, un module de périphérique dans l'un des deux ports et un autre module de périphérique au deuxième port, ou connectez un autre répartiteur en Y au deuxième port pour créer une connexion en guirlande afin de connecter plus de modules de périphérique. Répétez la procédure pour connecter tous les modules de périphérique au port DEVICES RJ12 du contrôleur TCS-1. Lors de la connexion de plusieurs modules de périphériques, il peut être plus facile d'utiliser un seul SPH-1 à 8 ports au lieu de plusieurs répartiteurs en Y. Une fois que les appareils sont tous connectés, appuyez sur le petit bouton des modules de l'appareil pour lier ou « adresser » chaque module au contrôleur TCS-1. Le contrôleur TENT-X attribuera une adresse aux modules de l'appareil de manière séquentielle. Une fois les modules de l'appareil adressés, les adresses seront enregistrées à moins que l'utilisateur n'effectue une réinitialisation d'usine ou de l'appareil dans le menu de configuration du système.

Il existe des limites individuelles au nombre de modules d'appareils pouvant être connectés au

TCS-1. Température = 2 ----- Chauffage ou Refroidissement
Humidité = 2 ----- Déshumidifier ou Humidifier
CO2 = 2 ----- augmenter ou diminuer les niveaux de CO2
Minuteries = 4 ----- minuteries de recyclage ou de programmation

Vous trouverez ci-dessous une liste de tous les modules de périphérique pouvant être utilisés avec le TCS-1.

2 x DSC-1 :	Station d'appareil pour CO2
2 x DSH-1&2 :	Station d'appareil pour l'humidité
2 x DST-1&2 :	Station d'appareil pour la température
2 x DSP -1&2 :	Station d'appareil pour le contrôle de la minuterie
* DSD-1 :	Station de dispositif à contact sec, avec contacts N/O et N/C. * Module universel.
* DSV-1 :	Station d'appareil basse tension (12-24 V, AC/DC) * Module universel.
* DCC-1 :	Adaptateur double condition, permet à une seule station de périphérique de type DS d'avoir 2 paramètres de contrôle * Module universel.
* DSR-1 :	Station de relais 25A (100-277 V~, 50/60 Hz) * Module universel.
2 x ARS-1 :	module de contrôle AC mini-split, contrôle la plupart des mini-splits. * Voir le site Web de TrolMaster pour plus de détails sur les mini-splits qui peuvent être contrôlés et ceux qui ne le peuvent pas.
* 4RS-2 :	Le module périphérique 4RS-2 a été conçu spécifiquement pour le TCS-1. Il fournit un module de commande unique doté de 4 prises de courant contrôlées distinctes. Chaque 4RS-2 peut contrôler un dispositif de température et d'humidité ainsi que deux dispositifs distincts contrôlés par minuterie comme des ventilateurs ou des pompes. * L'utilisation du module 4RS-2 utilisera 1 emplacement de température, 1 humidité et 2 emplacements de minuterie.

***Remarque :** Gardez à l'esprit le nombre maximum de chaque module d'appareil pouvant être connecté comme indiqué ci-dessus.

4. Connexions des ventilateurs EC

Le TCS-1 peut contrôler les ventilateurs EC. Nous diviserons ces ventilateurs en deux catégories, les ventilateurs EC standard et les ventilateurs Aerofan EC.

Les ventilateurs EC standard qui peuvent être contrôlés à l'aide d'un signal 0-10 volts ou PWM peuvent être connectés au TCS-1 à l'aide du module d'interface de ventilateur EFC-1 en option. Les utilisateurs peuvent contrôler deux ventilateurs EC en même temps, classés F1 et F2. Chaque ventilateur sera connecté à un EFC-1 distinct connecté au port RJ12 de l'appareil. Le premier et principal ventilateur, appelé F1, peut être utilisé et contrôlé comme ventilateur d'extraction pour contrôler la température et l'humidité. À mesure que la température ou l'humidité augmente, la vitesse du ventilateur augmente également. Le deuxième ventilateur, F2, peut éventuellement être utilisé et contrôlé pour fonctionner à une vitesse légèrement inférieure à celle du F1 et agira comme un ventilateur d'admission pour créer la pression négative souhaitée dans la tente de culture.

Contrôle des ventilateurs EC standard : dans le système Tent-X, les ventilateurs EC peuvent être contrôlés à l'aide des adaptateurs de contrôle EFC-1 en option. À l'aide des adaptateurs de contrôle EFC-1, vous pouvez

contrôler des ventilateurs EC de 0 à 10 volts ou de type PWM, que vous pouvez sélectionner lors de la première configuration de l'EFC-1. Les adaptateurs de contrôle EFC-1 peuvent contrôler la vitesse du ventilateur d'extraction et du ventilateur d'admission, qui peuvent ainsi manipuler la température, l'humidité et la pression négative à l'intérieur de la tente de culture pour s'adapter au résultat souhaité par les utilisateurs. Jusqu'à 2 ventilateurs peuvent être contrôlés à l'aide de deux des adaptateurs EFC-1.

Les ventilateurs EC de marque Aerofan ne nécessitent pas l'EFC-1 en option car ils peuvent être connectés directement au port RJ12 du module de périphérique du TCS-1. Le TCS-1 peut contrôler soit un seul Aerofan, soit plusieurs Aerofans en utilisant les mêmes paramètres utilisateur pour tous les ventilateurs connectés. Plusieurs Aerofans peuvent tous être connectés ensemble à l'aide des câbles en guirlande fournis. Ensuite, ce groupe de ventilateurs peut être connecté au port du périphérique TCS-1. Une fois connecté, l'utilisateur peut sélectionner les paramètres de fonctionnement des Aerofans.

***Remarque :** la fonction « Swing » n'est utilisée que pour les Aerofans qui ont un mouvement oscillant. Lorsque vous utilisez l'option de contrôle Aerofan, un seul réglage de ventilateur EC est disponible.

***Remarque :** Pour avoir une pression négative dans une tente de culture lors de l'utilisation des Aerofans, sélectionnez un ventilateur plus grand pour l'échappement et un ventilateur plus petit pour l'admission.

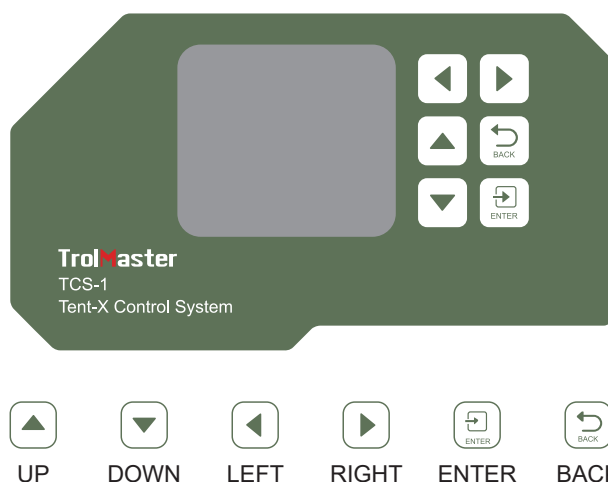
Contrôle des ventilateurs Aerofan EC : les ventilateurs Aerofan peuvent être connectés au TCS-1 de deux manières. Les Aerofans ne nécessitent aucun type d'adaptateur pour les contrôler à l'aide du contrôleur TCS-1. Ainsi, le moyen le plus simple de connecter les ventilateurs Aerofan au TCS-1 est de brancher le câble de communication du ou des ventilateurs directement sur le port DEVICE du TCS-1. Tous les ventilateurs à contrôler seraient connectés en série à l'aide des câbles fournis, puis connectés au port de périphérique du TCS-1. Une fois connectés, ces ventilateurs seront contrôlés en fonction des paramètres de la page EC Fan. Vous pouvez également choisir de utiliser le module de télécommande du ventilateur FRC-1 en option. Le FRC-1 fournit une méthode simple et manuelle pour régler les vitesses de l'Aerofan. Le FRC-1 est connecté en ligne aux ventilateurs à l'aide du câble en Y fourni, l'autre extrémité du câble en Y se connecte au TCS-1. Normalement, le TCS-1 contrôlera la vitesse du ventilateur en fonction du réglage effectué par l'utilisateur dans le TCS-1. Mais lorsque le FRC-1 est connecté, tourner le bouton manuel du FRC-1 permettra temporairement au FRC-1 de contrôler la vitesse du ventilateur en fonction du réglage manuel de la vitesse de l'utilisateur. Après 30 minutes d'inactivité sur le FRC-1, les Aerofans connectés au FRC-1 et au TCS-1 seront à nouveau contrôlés par le TCS-1.

5. Connexion Internet

Vous pouvez connecter votre TENT-X à Internet afin d'avoir accès à la surveillance à distance, aux notifications et au contrôle de votre contrôleur. Pour connecter le contrôleur à votre Internet, TrolMaster recommande d'utiliser un câble câblé Cat 5/6 branché sur le port Ethernet situé au bas du TCS-1. Après avoir connecté votre TENT-X à Internet, téléchargez l'application TrolMaster, TM+ Pro sur votre smartphone. Vous pouvez ensuite accéder aux données en temps réel via votre smartphone et contrôler à distance les appareils connectés au Tent-X, ce qui vous permet de voyager librement et de vous éloigner de votre

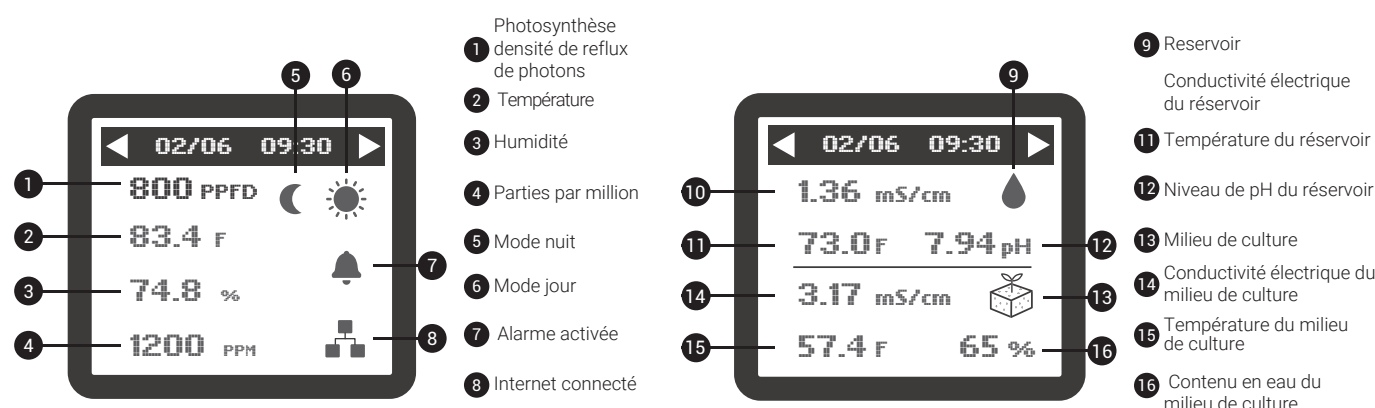
environnement en pleine croissance. Les utilisateurs de TrolMaster peuvent également partager leurs progrès, interagir avec d'autres producteurs, accéder aux données historiques et accéder à de nombreuses fonctions utiles dans l'application.

***Remarque :** il n'y a pas de wifi intégré sur le TCS-1. Contactez le support technique TrolMaster pour les options liées à l'utilisation d'une connexion Wi-Fi, car la plupart des prolongateurs de portée Wi-Fi disponibles dans le commerce (avec ports Ethernet) ne sont PAS compatibles avec les contrôleurs TrolMaster.



Interface principale

Lorsque vous branchez le Tent-X pour la première fois, vous atterrissez sur la page d'accueil sur l'écran LCD. C'est ici que les données du capteur de la tente de culture sont affichées. Appuyez sur les flèches « GAUCHE » et « DROITE » pour basculer entre les données des paramètres climatiques, les données de surveillance des nutriments et du substrat de culture, la page d'état de l'appareil et la page de notification d'alarme. Chaque page fournit des informations spécifiques sur la Tent-X. Le Tent-X surveillera en permanence votre climat, vos nutriments et vos données sur les substrats de culture en temps réel :



Notifications d'alarme

La page de notification d'alarme est l'endroit où toutes vos notifications d'alarme sont consolidées. C'est ici que vous pouvez vérifier les notifications d'alarme manquées et ajuster votre configuration en conséquence.

Comprendre le menu/les pages

Il y a 4 pages de menu principal sur le TCS-1. Lorsque vous allumez le contrôleur pour la première fois, la page d'accueil s'affichera. Sur cette page, vous pouvez voir les conditions environnementales actuelles à l'intérieur de la tente. En appuyant sur la touche fléchée droite, vous accéderez aux conditions d'irrigation actuelles. Vous pouvez également utiliser le bouton fléché vers la gauche pour afficher les pages État de l'appareil et Messages d'alarme. La page État de l'appareil affichera l'état actuel (On / Off) de chaque appareil connecté au TCS-1. La page Alarme affichera les messages d'alarme les plus récents.

Setting	
Day & Night Climate	
Light	Device
EC Fan	System

Pages de configuration du TCS-1

Dans le menu principal du TCS-1, lorsque vous appuyez sur ENTER sur le Tent-X, vous entrerez dans une page de paramètres composée de cinq blocs, chaque bloc accédant à une page spécifique avec les paramètres des paramètres climatiques, des lumières, des appareils et des ventilateurs EC. et Paramètres système.

Day Setpoint		
Temp	Humid	CO2
70 °F	65 %	1200 ppm
Night Setpoint		
Temp	Humid	CO2
55 °F	50 %	400 ppm

Climat jour et nuit

Après avoir appuyé sur ENTRÉE dans l'onglet Climat jour et nuit, vous ouvrirez la page où vous pourrez régler la température, l'humidité et les niveaux de CO2 dans la tente de culture pour le jour et la nuit. Une fois les paramètres climatiques définis, les appareils climatiques connectés à la Tent-X maintiendront automatiquement ces paramètres.

Lighting
Line 1
Line 2

Lumières

Après avoir appuyé sur ENTRÉE sur le bloc lumineux, l'écran affichera Ligne 1 et Ligne 2. Utilisez les flèches HAUT et BAS pour choisir Ligne 1 ou Ligne 2 et appuyez sur ENTRÉE pour accéder à la page où vous pouvez apporter des modifications à la ligne sélectionnée.

Line 1 Lighting	
Mode	LED
Power	100%
On at	20:00
Off at	08:00
Dim at	84 °F
Stop at	89 °F
Sun R/S time	OFF

Sur cette page, vous pouvez créer vos paramètres d'éclairage. Utilisez les boutons HAUT et BAS pour parcourir les options de cette page et appuyez sur ENTRÉE sur un élément pour le modifier. Lorsque vous voyez l'élément clignoter, vous pouvez basculer entre les sélections à l'aide des flèches HAUT et BAS. Lorsque vous avez sélectionné votre élément, appuyez à nouveau sur ENTER pour confirmer la sélection. Choisissez si vous utilisez des lumières HID ou LED. Vous pouvez également sélectionner l'heure d'allumage/extinction de vos lumières, la température à laquelle les lumières s'atténueront, l'heure du lever et du coucher du soleil, et plus encore.

Devices Setting			
T1 Heat		T2 Cool	
H1 Humid		H2 Dehumid	
C1 In		C2 Out	
P1	P2	P3	P4

Dispositifs

L'onglet Appareils est l'endroit où vous configurerez vos appareils de climatisation. Grâce à l'utilisation de nos modules DS enfichables, vous pouvez connecter et contrôler les appareils via le contrôleur. Le Tent-X de TrolMaster peut contrôler plusieurs modules d'appareils.

Lorsque vous ouvrez la page Appareils, vous pouvez y sélectionner ce que chacun de vos modules de périphériques de connexion contrôlera. Vous disposez de 2 emplacements d'appareil disponibles chacun pour la température T1 et T2, l'humidité H1 et H2 et le CO2 C1 et C2. Vous pouvez également définir 4 minuteries programmables, étiquetées de P1 à P4.

Déplacez le curseur sur le paramètre du module de périphérique que vous souhaitez modifier. Appuyez sur ENTER pour accéder aux paramètres de l'appareil. Vous pouvez ensuite utiliser les flèches HAUT ou BAS pour sélectionner le type d'appareil connecté au Tent-X. Lorsque vous avez fini de sélectionner l'appareil que vous avez connecté pour chaque module d'appareil, appuyez à nouveau sur ENTER pour confirmer les sélections.

Les modules de dispositifs de programme peuvent être utilisés pour connecter davantage de dispositifs climatiques ou des dispositifs d'irrigation basés sur une minuterie, tels que des solénoïdes et des pompes. Si vous souhaitez connecter des appareils d'irrigation pour configurer des programmes d'irrigation, vous pouvez utiliser les modules DSP1 ou 2 (120 ou 240 V), ou le DSV-1 (12-24 V AC/DC), pour configurer vos programmes préférés. Afin de programmer un appareil par horaire, appuyez sur ENTER sur l'un des onglets de programme de P1 à P4. L'écran LCD affichera alors 3 options, dans lesquelles vous pourrez définir le type de programme que vous souhaitez définir. Si vous choisissez le paramètre de programmation unique, vous ne devrez régler que 2 minuteries. Vous saisissez simplement quand vous souhaitez que l'appareil s'allume et quand il s'éteint. Si vous choisissez le paramètre multi-programmes, vous pouvez définir jusqu'à 12 heures d'activation et de désactivation individuelles pour chaque appareil à suivre dans une « journée » de 24 heures. Si vous choisissez d'utiliser le mode minuterie de recyclage, vous pourrez déterminer la durée des temps d'activation et de désactivation, et le mode minuterie de recyclage répétera ensuite ce même programme de durée de marche/arrêt autant de fois que vous le souhaitez, en travaillant comme un minuterie de cycle de répétition. Vous pourrez également sélectionner l'heure de la journée à laquelle le cycle de répétition doit commencer, ainsi que déterminer combien de cycles seront répétés avant que les minuteries ne soient arrêtées jusqu'au lendemain. Le contrôleur Tent-X s'occupera du reste une fois que vous aurez configuré votre programme d'irrigation préféré. Vos appareils contrôlés par minuterie seront contrôlés automatiquement avec le TCS-1 selon les paramètres que vous avez spécifiés.

Setting	
Day & Night Climate	
Light	Devices
EC Fan	System

Paramètres du ventilateur EC

Fan F1 : Il existe 4 modes pour le ventilateur F1 avec des réglages séparés pour le jour et la nuit. Ces 4 modes incluent :

- **Mode refroidissement uniquement** : le ventilateur d'extraction est uniquement contrôlé par la température dans la tente de culture.
- **Mode Dehu uniquement** : le ventilateur d'extraction est uniquement contrôlé par les niveaux d'humidité dans la tente de culture.
- **Mode priorité au refroidissement** : le ventilateur d'extraction est contrôlé à la fois par la température et l'humidité, cependant, il donnera la priorité à la température pour qu'elle se situe dans la plage définie si les deux ne peuvent pas être atteintes.
- **Mode priorité Dehu** : le ventilateur d'extraction est contrôlé à la fois par la température et l'humidité, cependant, il donnera la priorité à l'humidité pour qu'elle se situe dans la plage définie si les deux ne peuvent pas être atteintes.

Setting	
Exhaust Fan (F1)	
Intake Fan (F2)	

Dans la page de configuration F1, vous pouvez également définir la vitesse minimale et maximale du ventilateur à laquelle le ventilateur d'extraction peut fonctionner. Lorsque vous utilisez un seul ventilateur d'extraction, régler la vitesse minimale de fonctionnement du ventilateur à plus de 0 % permettra à l'utilisateur d'assurer une pression négative à l'intérieur de la tente même lorsque le TCS-1 ne demande pas de refroidissement. Le réglage de la vitesse maximale à laquelle le ventilateur peut fonctionner permettra à l'utilisateur de choisir la vitesse et le volume sonore du ventilateur à pleine vitesse.

Appuyez sur ENTER sur « Exhaust Fan (F1) » et vous arriverez sur la page où vous pouvez définir les paramètres du ventilateur. La première chose à sélectionner est le mode dans lequel vous souhaitez que le ventilateur fonctionne. Appuyez sur Entrée puis utilisez les flèches Haut/Bas pour sélectionner le mode souhaité, puis appuyez sur Entrée. Ensuite, vous pouvez sélectionner la vitesse minimale du ventilateur. Ensuite, vous sélectionnez la vitesse maximale du ventilateur. Vous pouvez également choisir de verrouiller le CO2 pour qu'il soit désactivé lorsque le ventilateur est en marche. Déplacez le curseur sur l'écran vers le bas jusqu'à CO2 Interlock, puis utilisez la flèche haut ou bas pour permettre à la coche ✓ d'apparaître sur l'écran, et appuyez à nouveau sur ENTER pour confirmer la sélection. Selon la façon dont vous le configurez, les ventilateurs augmenteront leur vitesse à mesure que la température ou l'humidité augmente, et ils ralentiront (ou s'arrêteront) à mesure que la température et l'humidité diminueront. Avec les ventilateurs travaillant ensemble dans un système de contrôle », vous serez en mesure de contrôler avec précision l'environnement à l'intérieur de la tente en utilisant l'air frais.

***Remarque :** La fonction « Swing » n'est pas utilisée pour contrôler les ventilateurs EC standard.

Setting	
Exhaust Fan (F1)	
Intake Fan (F2)	

Ventilateur F2 : Les paramètres du ventilateur F2 concernent le 2ème ventilateur en option qui peut être installé comme ventilateur d'admission. Le ventilateur d'admission peut être réglé pour fonctionner à une vitesse légèrement inférieure à celle du ventilateur F1, créant ainsi automatiquement une pression négative dans la tente de culture. L'utilisateur peut sélectionner le % « différentiel » et s'il doit éteindre le ventilateur ou lui permettre de continuer à fonctionner lorsqu'il est inférieur au point de consigne de température ou d'humidité. L'utilisateur peut

personnaliser les paramètres de son ventilateur d'admission dans le bloc F2. Bien qu'un seul ventilateur d'extraction puisse être utilisé, nous pouvons contrôler la quantité de pression négative à l'intérieur de la tente en ajoutant un ventilateur d'admission séparé et en le contrôlant séparément. Avec l'option F2, vous pouvez régler la pression négative dans votre tente en diminuant la vitesse du ventilateur d'admission d'air.

Appuyez sur ENTER sur « Intake Fan (F2) » et vous arriverez sur la page où vous pourrez définir la pression négative que vous souhaitez dans votre tente de culture. Appuyez à nouveau sur ENTER et utilisez les flèches HAUT et BAS pour sélectionner votre numéro, appuyez à nouveau sur ENTER pour confirmer la sélection. Vous avez également la possibilité de ne pas laisser votre ventilateur d'admission s'activer lorsque votre température et/ou humidité tombe en dessous des points de consigne. La fonction Arrêter en dessous du point de consigne s'arrêtera en conjonction avec les paramètres F1 et vous donne la possibilité de choisir si vous souhaitez faire fonctionner le ventilateur F2 à la vitesse minimale %, ou éteindre complètement le ventilateur lorsque la température et/ou l'humidité sont inférieures au point de consigne. Pour régler « Arrêter lorsque le point de consigne est inférieur », appuyez sur ENTER sur le carré du bas et il commencera à clignoter. Utilisez la flèche HAUT ou BAS pour permettre à la coche ✓ d'apparaître à l'écran, puis appuyez à nouveau sur ENTRÉE pour confirmer la sélection.

Les paramètres du système

L'onglet « Système » est l'endroit où vous définirez vos divers paramètres internes pour votre contrôleur Tent-X. Il existe de nombreux paramètres dans les paramètres système.

Unité de mesure : définissez le format dans lequel vous souhaitez que votre unité de mesure soit pour la température EC et les paramètres de votre horloge.

Remplacement manuel : vous pouvez également remplacer manuellement les modules de votre périphérique de contrôleur sur cette page. Cela vous permet de tester et de vous assurer que tous les modules de l'appareil sont connectés et fonctionnent correctement avec le contrôleur.

Code QR : vous pouvez scanner le code QR pour associer votre appareil intelligent (application) au contrôleur.

Réinitialisation du système : vous avez le choix entre trois options dans le menu Réinitialisation du système. La réinitialisation de l'appareil permet à l'utilisateur de réinitialiser UNIQUEMENT l'adressage du module de l'appareil. La réinitialisation d'usine peut être utilisée pour résoudre certains problèmes majeurs au sein du contrôleur, ou si l'utilisateur souhaite simplement rétablir les paramètres d'usine de l'unité. Vous pouvez également mettre à jour le micrologiciel interne du TCS-1 en sélectionnant Mise à jour du micrologiciel.

Calibrage : Vous pouvez calibrer les différents capteurs que vous utilisez à l'intérieur de la tente de culture en sélectionnant la page Calibrage. Vous y trouverez des options pour calibrer les capteurs environnementaux et les capteurs de surveillance de l'eau.

***Remarque** : le capteur MBS-PAR ne nécessite pas d'étalonnage.

DeadBand : Vous pouvez définir vos points de consigne de bande morte qui seront utilisés avec les modules de vos appareils connectés. Les paramètres de zone morte déterminent le niveau de température ou d'humidité auquel chaque module s'allumera et s'éteindra à nouveau.

Détecteurs d'eau : Cette page vous montrera l'état des détecteurs d'eau en option. Ici, vous pouvez sélectionner l'un des deux modes pour les détecteurs d'eau, le capteur de fuite ou le capteur de confirmation d'eau.

Temps de retard WD : Ici, vous pouvez définir le temps de retard de vos détecteurs d'eau.

Paramètres d'alarme : sur la page des paramètres d'alarme, vous pouvez définir vos paramètres d'alarme de limite haute et basse pour votre climat, vos nutriments et votre support de culture. Lorsque les valeurs dépassent ou descendent en dessous des points de consigne maximum et minimum définis dans les paramètres d'alarme, vous serez immédiatement averti sur le contrôleur et via l'application TrolMaster, TM+ Pro.

Contrôle du ventilateur EC Les paramètres de contrôle du ventilateur EC déterminent la plage de température et d'humidité à laquelle le ventilateur changera de vitesse. Par exemple, si le point de consigne de température de l'utilisateur est de 80°F et que la plage variable de température est réglée sur 5°F, le ventilateur fonctionnera à des vitesses variables à moins que la température ne dépasse 85°F (80+5 = 85'). Si la température ou l'humidité dépasse ce réglage de plage de température, le ventilateur d'extraction fonctionnera à la vitesse maximale du ventilateur définie par l'utilisateur dans les paramètres F1. Au fur et à mesure que la température ou l'humidité retombe vers le point de consigne de température, le ventilateur ralentira progressivement et reprendra la vitesse minimale définie par l'utilisateur de manière linéaire. Le même effet se produit avec le paramètre Plage variable d'humidité.

MISES À JOUR DU MICROLOGICIEL

Lors de la première installation de votre contrôleur, vous devez vérifier qu'il dispose de la version la plus récente du système d'exploitation/micrologiciel. Mettez à jour le dernier micrologiciel pour les corrections de bogues et les nouvelles fonctions ajoutées à l'unité. Visitez notre site Web pour découvrir la version la plus récente du firmware. Vous enregistrez et copiez ensuite le micrologiciel le plus récent sur une carte MicroSD de 32 Go ou moins. Pour mettre à jour le firmware, insérez la carte MicroSD dans l'emplacement TCS-1 puis accédez à la page Paramètres système et choisissez réinitialisation du système. En bas, vous verrez la version actuelle du micrologiciel installé. Pour installer la mise à jour, choisissez Mise à jour du micrologiciel et suivez les invites pour sélectionner le fichier vers lequel mettre à jour.

CARACTÉRISTIQUES

Tension d'entrée : 100-240VAC, 50/60Hz

Degré de protection contre la pénétration : IP20

Distance maximale de l'appareil à connecter : 1000 Meter

Plage de température : 32~138°F

Précision de la température : ±1°F

Zone morte de température : 3°F

Plage d'humidité : 5~95%

Précision de l'humidité : ±5%

Zone morte d'humidité : 5%

Plage de CO₂ : 0~2000 PPM

Précision du CO₂ : ±50 PPM

Zone morte CO₂ : 50 PPM

Température de travail : 32~122°F

Humidité de travail : 5~95%RH

Important!

Ne laissez pas la Tent-X être exposée à l'eau ou à une chaleur excessive. N'ouvrez pas ou n'essayez pas d'ouvrir le Tent-X pour réparer ou démonter le contrôleur, car il n'y a aucune pièce réparable par l'utilisateur à l'intérieur. L'ouverture du contrôleur annulera la garantie. Si vous souhaitez nettoyer la surface du contrôleur, essuyez-la avec un chiffon humide. La Tent-X fonctionne dans des conditions de ventilation naturelle et peut être alimentée par une prise domestique conventionnelle.

Italiano

Tent-X (TCS-1) Manuale d'uso di

PANORAMICA

Congratulazioni per aver acquistato il sistema di controllo all'avanguardia tutto in uno, Tent-X. Progettato per tende da coltivazione a zona singola, questo dispositivo è in grado di soddisfare tutte le esigenze ambientali e di irrigazione della tua tenda da coltivazione. TCS-1 / Tent-X è il cervello che unisce tutti i tuoi dispositivi di climatizzazione e irrigazione in un unico controller. Ciò consente a TUTTI i tuoi dispositivi di lavorare insieme per creare l'ambiente di crescita ottimale per le tue piante. TENT-X consente agli utenti di monitorare e controllare sia il proprio ambiente che i sistemi di irrigazione/fertirrigazione all'interno della propria tenda di coltivazione, utilizzando un controller semplice da usare ed economico. Il Tent-X è adatto a controllare tutte le dimensioni di tende da coltivazione. Può controllare e monitorare ventilatori di tipo EC, temperatura dell'aria, umidità, CO2 e luci. Può anche monitorare e controllare tutti i dispositivi di irrigazione all'interno della tenda, inclusi pH, EC, temperatura dell'acqua e VWC (contenuto volumetrico di acqua).

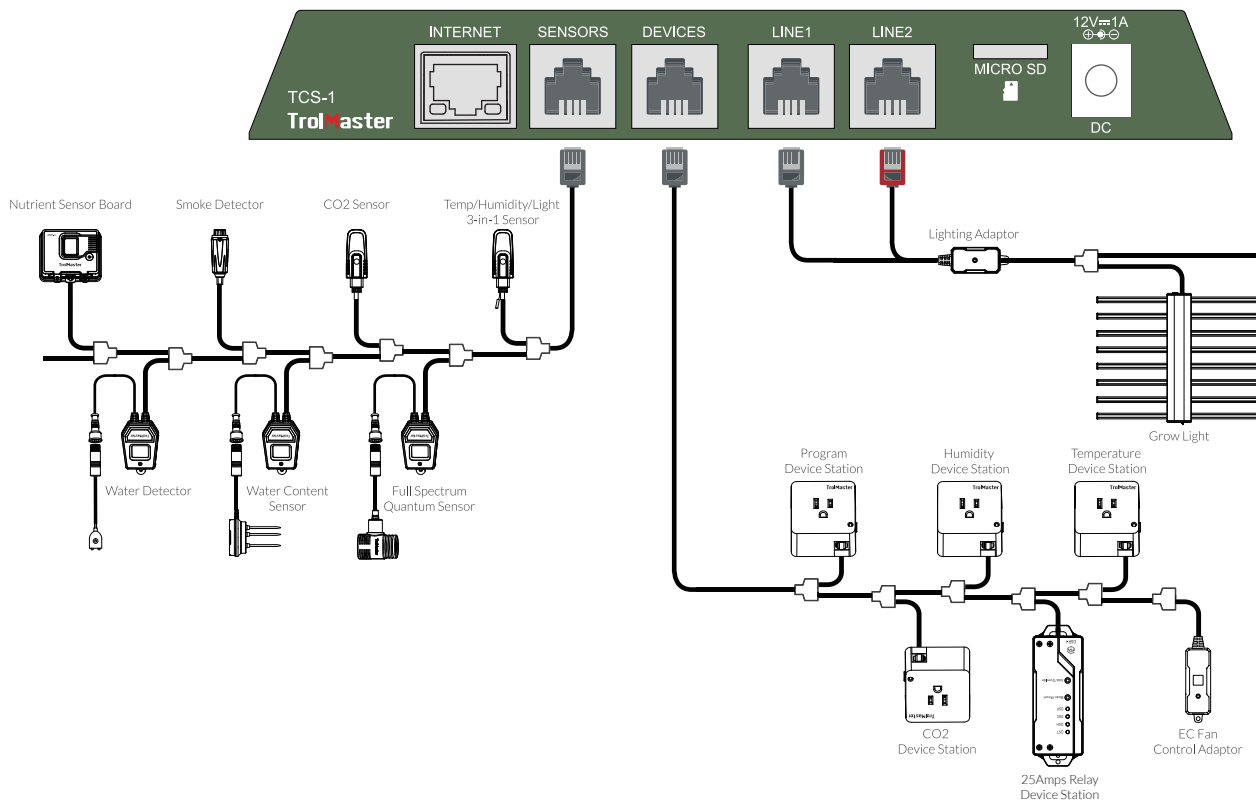
CONTENUTO DEL PACCO

Il controller TCS-1 viene fornito con il controller principale, un sensore MBS-TH, un alimentatore da 12 V CC e un kit di cavi standard con cavo RJ da 4 e 16 piedi e uno splitter a Y. Le altre parti che comporranno il vostro sistema di controllo verranno acquistate separatamente secondo le esigenze di ciascun utente.

ISTRUZIONI

Installa Tent-X su una parete utilizzando la piastra posteriore inclusa nella confezione con il controller. È una semplice staffa fissa a parete. È sufficiente rilasciare il controller dalla staffa estraendolo dalla staffa, quindi montare la staffa sulla parete utilizzando le viti. È quindi possibile posizionare nuovamente il controller nella staffa semplicemente spingendo il controller nella staffa. Si bloccherà in posizione. Quindi puoi iniziare a installare e collegare i tuoi sensori e moduli del dispositivo al TCS-1 utilizzando i nostri cavi RJ12 standard.

I cavi di comunicazione RJ12 di interconnessione sono disponibili in varie lunghezze. È fondamentale scegliere la lunghezza giusta adatta alla tua applicazione. Quando acquisti il sistema di controllo TCS-1 TENT-X, riceverai un set di cavi RJ12 composto da un cavo RJ da 4 piedi e 16 piedi e uno sdoppiatore a Y come parte del pacchetto. Ogni modulo del dispositivo e sensore opzionale acquistato verrà fornito con il set di cavi RJ12 standard. È possibile acquistare ulteriori set di cavi ECS-1.



1. Collegamenti del sensore

TUTTI i sensori utilizzati con TENT-X saranno collegati alla porta RJ12 denominata SENSORS, nella parte inferiore dell'unità. Innanzitutto, collega un cavo RJ12 alla porta, quindi collega l'altra estremità a uno splitter a Y o all'hub splitter di TrolMaster (SPH-1). Se si utilizza il ripartitore a Y, è possibile collegare il primo sensore e quindi utilizzare ulteriori ripartitori a Y per aggiungere ciascun sensore aggiuntivo. Quando si collegano più sensori, può essere più semplice utilizzare un singolo SPH-1 a 8 porte anziché più ripartitori a Y. Di seguito sono riportati tutti i tipi di sensori che possono essere collegati al TCS-1 e il numero massimo che può essere collegato.

1x MBS-TH :	sensore 3 in 1 di temperatura, umidità e luce. *Viene fornito con il TCS-1.
1x MBS-S8 :	sensore di CO2
1x MBS-PAR :	sensore quantistico a spettro completo
1x MBS-SD :	rilevatore di fumo
2x WD-1:	rilevatore d'acqua
1x AMP-3 :	Amplificatore per collegare le sonde pH ed EC
1x PCT-1, 2 o 3 :	sonda EC e temperatura
1x PPH-1, 2 o 3 :	sonde PH
1x WCS-1, 2 o 3 :	sensore del contenuto d'acqua o WCS-2: contenuto d'acqua + sensore EC

Una volta che i sensori sono tutti collegati alla porta SENSOR sul TCS-1, alcuni sensori richiedono di premere il piccolo pulsante sui sensori per collegare o "indirizzare" ciascun sensore al controller TCS-1. Il controller TENT-X assegnerà quindi automaticamente un indirizzo ai sensori in sequenza. Una volta indirizzati i sensori, gli indirizzi verranno salvati a meno che l'utente non completi un ripristino delle impostazioni di fabbrica o del sensore nel menu di impostazione del sistema.

2. Collegamenti luminosi

Il TCS-1 può controllare la maggior parte delle marche di luci LED o HID utilizzando i due canali di controllo dell'illuminazione integrati sul TCS-1. Ciascuno dei due canali può funzionare indipendentemente l'uno dall'altro per consentire il controllo di due diversi tipi o marche di luci. Per controllare le luci, devi prima collegare uno degli adattatori di illuminazione LMA di TrolMaster alle porte RJ12 nella parte inferiore del controller, etichettate Linea 1 e Linea 2. TrolMaster offre diversi tipi di adattatori di illuminazione per diverse marche e tipi di luci. Se hai domande su quale adattatore è corretto per le tue luci, contatta il supporto tecnico o vai alla pagina Tent-X sul sito web di TrolMaster all'indirizzo www.trolmaster.com. Poiché ciascuno dei due canali di controllo dell'illuminazione è indipendente, ciascuna linea di controllo può essere configurata per avere le proprie impostazioni del timer e i propri punti di regolazione della temperatura, nonché la percentuale di regolazione e potenza a cui verrà utilizzato ciascun gruppo di luci.

3. Connessioni del modulo del dispositivo

Sono disponibili più moduli dispositivo che possono essere utilizzati con il TCS-1. Tutti i moduli del dispositivo utilizzati con il TCS-1 saranno collegati alla porta RJ12 nella parte inferiore del controller, etichettata DEVICES. Innanzitutto, collega un cavo RJ12 alla porta, quindi collega l'altra estremità a uno splitter a Y o all'hub splitter di TrolMaster (SPH-1). Se tu collegare il divisore a Y, un modulo del dispositivo in una delle due porte e un altro modulo del dispositivo alla seconda porta, oppure collegare un altro divisore a Y alla seconda porta per creare una connessione a margherita per collegare più moduli del dispositivo. Ripetere la procedura per collegare tutti i moduli del dispositivo alla porta DEVICES RJ12 sul controller TCS-1. Quando si collegano più moduli dispositivo, può essere più semplice utilizzare un singolo SPH-1 a 8 porte anziché più ripartitori a Y. Una volta collegati tutti i dispositivi, premere il piccolo pulsante sui moduli del dispositivo per collegare o "indirizzare" ciascun modulo al controller TCS-1. Il controller TENT-X assegnerà un indirizzo ai moduli del dispositivo in sequenza. Una volta indirizzati i moduli del dispositivo, gli indirizzi verranno salvati a meno che l'utente non completi un ripristino delle impostazioni di fabbrica o del dispositivo nel menu delle impostazioni di sistema.

Esistono limiti individuali al numero di moduli dispositivo che possono essere collegati al TCS-1.

Temperatura = 2 ----- Riscaldamento o Raffreddamento
Umidità = 2 ----- Deumidifica o Umidifica
CO2 = 2 ----- aumenta o diminuisce i livelli di CO2
Dispositivi timer = 4 ----- timer di riciclaggio o di programmazione

Di seguito è riportato un elenco di tutti i moduli del dispositivo che possono essere utilizzati con il TCS-1.

2 x DSC-1:	stazione del dispositivo per CO2
2 x DSH-1&2:	Stazione del dispositivo per l'umidità
2 x DST-1&2:	Stazione del dispositivo per la temperatura
2 x DSP -1&2:	stazione del dispositivo per il controllo del timer
* DSD-1:	Stazione dispositivo a contatto pulito, con contatti N/A e N/C. *Modulo universale.
* DSV-1:	Stazione dispositivo a bassa tensione (12-24 V, CA/CC) *Modulo universale.
* DCC-1:	adattatore a doppia condizione, consente a una singola stazione del dispositivo di tipo DS di avere 2 impostazioni di controllo *Modulo universale.
* DSR-1:	Stazione relè da 25A (100-277 V~, 50/60 Hz) *Modulo universale.
2 x ARS-1:	modulo di controllo CA mini-split, controlla la maggior parte dei mini-split. *Consulta il sito web di TrolMaster per i dettagli su quali mini-split possono essere controllati e quali no.
* 4RS-2:	Il modulo dispositivo 4RS-2 è stato progettato specificamente per il TCS-1. Fornisce un singolo modulo di controllo che dispone di 4 prese di alimentazione controllate separate. Ciascun 4RS-2 può controllare un dispositivo per la temperatura e l'umidità, nonché due dispositivi separati controllati da timer come ventole o pompe. *L'utilizzo del modulo 4RS-2 utilizzerà 1 slot di temperatura, 1 di umidità e 2 timer.

***Nota:** tenere presente il numero massimo di ciascun modulo dispositivo che può essere collegato come indicato sopra.

4. Collegamenti dei ventilatori EC

Il TCS-1 può controllare i ventilatori EC. Divideremo questi ventilatori in due categorie, ventilatori EC standard e ventilatori Aerofan EC.

Le ventole EC standard che possono essere controllate utilizzando un segnale 0-10 volt o PWM possono essere collegate al TCS-1 utilizzando il modulo di interfaccia ventola EFC-1 opzionale. Gli utenti possono controllare due ventilatori EC contemporaneamente, classificati come F1 e F2. Ciascuna ventola sarà collegata a un EFC-1 separato collegato alla porta RJ12 del dispositivo. La prima ventola primaria, denominata F1, può essere utilizzata e controllata come ventola di scarico per controllare la temperatura e l'umidità. All'aumentare della temperatura o dell'umidità, aumenta anche la velocità della ventola. La seconda ventola, F2, può essere opzionalmente utilizzata e controllata per funzionare a una velocità leggermente inferiore rispetto a F1 e fungerà da ventola di aspirazione per creare la pressione negativa desiderata all'interno della tenda di coltivazione.

Controllo dei ventilatori EC standard: nel sistema Tent-X, i ventilatori EC possono essere controllati utilizzando gli adattatori di controllo EFC-1 opzionali. Utilizzando gli adattatori di controllo EFC-1, è possibile

controllare le ventole EC da 0-10 volt o di tipo PWM, che è possibile selezionare durante la prima configurazione dell'EFC-1. Gli adattatori di controllo EFC-1 possono controllare la velocità della ventola di scarico e della ventola di aspirazione, che di conseguenza possono manipolare la temperatura, l'umidità e la pressione negativa all'interno della tenda di coltivazione per soddisfare il risultato desiderato dagli utenti. È possibile controllare fino a 2 ventole utilizzando due adattatori EFC-1.

Le ventole EC con marchio Aerofan non richiedono l'EFC-1 opzionale poiché possono essere collegate direttamente alla porta RJ12 del modulo dispositivo sul TCS-1. Il TCS-1 può controllare un singolo Aerofan o più Aerofan utilizzando le stesse impostazioni utente per tutte le ventole collegate. È possibile collegare più Aerofan insieme utilizzando i cavi daisy-chain forniti. Quindi quel gruppo di ventole può essere collegato alla porta del dispositivo TCS-1. Una volta connesso, l'utente può selezionare le impostazioni per il funzionamento degli Aerofan.

***Nota:** La funzione "Swing" viene utilizzata solo per gli Aerofan che hanno un movimento oscillante. Quando si utilizza l'opzione di controllo Aerofan, è disponibile una sola impostazione della ventola EC.

***Nota:** per avere una pressione negativa all'interno di una tenda di coltivazione quando si utilizzano gli Aerofan, selezionare una ventola più grande per lo scarico e una ventola più piccola per l'aspirazione.

Controllo delle ventole Aerofan EC: Le ventole Aerofan possono essere collegate al TCS-1 in due modi. Gli Aerofan non necessitano di alcun tipo di adattatore per controllarli utilizzando il controller TCS-1. Quindi il modo più semplice per collegare le ventole Aerofan al TCS-1 è collegare il cavo di comunicazione dalle ventole direttamente alla porta DEVICE sul TCS-1. Tutte le ventole da controllare verrebbero collegate insieme a catena utilizzando i cavi forniti e quindi collegate alla porta del dispositivo sul TCS-1. Una volta connessi, questi tifosi verranno controllati in base alle impostazioni nella pagina EC Fan. Puoi anche scegliere di utilizzare il modulo opzionale di controllo remoto della ventola FRC-1. L'FRC-1 fornisce un metodo semplice e manuale per regolare le velocità dell'Aerofan. L'FRC-1 è collegato in linea alle ventole utilizzando il cavo a Y in dotazione, l'altra estremità del cavo a Y si collega al TCS-1. Normalmente il TCS-1 controlla la velocità della ventola in base all'impostazione dell'utente all'interno del TCS-1. Ma quando l'FRC-1 è collegato, ruotando la manopola manuale sull'FRC-1 si consentirà temporaneamente all'FRC-1 di controllare la velocità della ventola in base all'impostazione manuale della velocità dell'utente. Dopo 30 minuti di inattività sull'FRC-1, gli Aerofan collegati all'FRC-1 e al TCS-1 saranno nuovamente controllati dal TCS-1.

5. Connessione Internet

Puoi connettere il tuo TENT-X a Internet per avere accesso al monitoraggio remoto, alle notifiche e al controllo del tuo controller. Per connettere il controller a Internet, TrolMaster consiglia di utilizzare un cavo Cat 5/6 cablato collegato alla porta Ethernet nella parte inferiore del TCS-1. Dopo aver collegato la tua TENT-X a Internet, scarica l'app TrolMaster, TM+ Pro sul tuo smartphone. Puoi quindi accedere ai dati in tempo reale tramite il tuo smartphone e avere il controllo remoto dei dispositivi collegati a Tent-X, consentendo la libertà di viaggiare e di stare lontano dal tuo ambiente di coltivazione. Gli utenti di TrolMaster

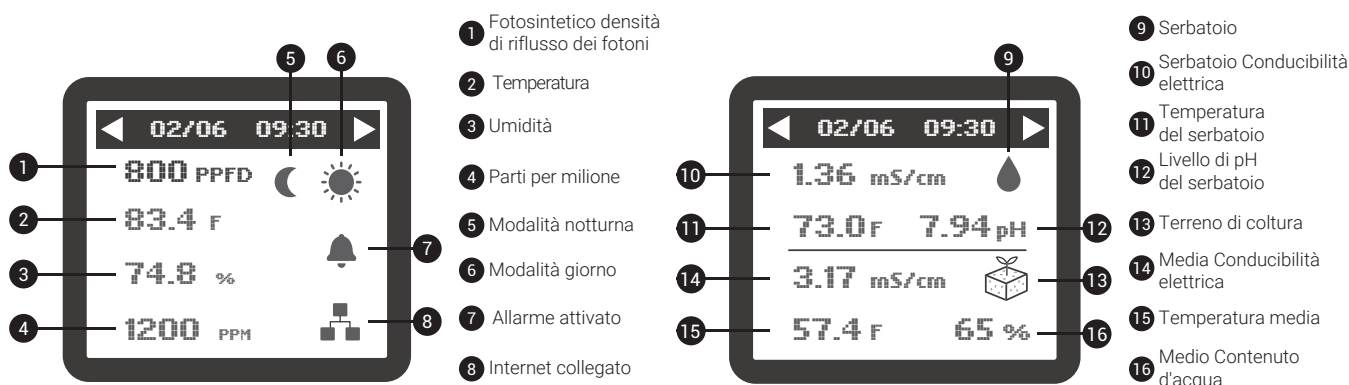
possono anche condividere i propri progressi, interagire con altri coltivatori, accedere ai dati storici e avere accesso a molte funzioni utili nell'app.

***Nota:** sul TCS-1 non è presente alcuna connessione Wi-Fi integrata. Contatta il supporto tecnico TrolMaster per le opzioni relative all'utilizzo di una connessione Wi-Fi poiché la maggior parte degli estensori di portata Wi-Fi disponibili in commercio (con porte Ethernet) NON sono compatibili con i controller TrolMaster.



Interfaccia principale

Quando colleghi il Tent-X per la prima volta, visualizzerai la home page sul display LCD. Qui vengono visualizzati i dati del sensore per la tenda di coltivazione. Premere le frecce "SINISTRA" e "DESTRA" per alternare tra i dati sui parametri climatici, i dati di monitoraggio dei nutrienti e del terreno di coltivazione, la pagina di stato del dispositivo e la pagina di notifica degli allarmi. Ogni pagina fornisce informazioni specifiche su Tent-X. Tent-X monitorerà costantemente il clima e i nutrienti e coltiverà i dati medi in tempo reale:



Notifiche di allarme

La pagina di notifica degli allarmi è il luogo in cui vengono consolidate tutte le notifiche degli allarmi. Qui è dove puoi controllare le notifiche degli allarmi persi e modificare la configurazione di conseguenza.

Comprendere il menu/le pagine

Ci sono 4 pagine del menu principale sul TCS-1. Quando si accende il controller per la prima volta, verrà visualizzata la pagina Home. In quella pagina puoi vedere le attuali condizioni ambientali all'interno della tenda. Premendo il pulsante freccia destra si accederà alle condizioni di irrigazione attuali. È inoltre possibile utilizzare il pulsante freccia sinistra per visualizzare le pagine Stato dispositivo e Messaggi di allarme. La pagina Stato dispositivo mostrerà lo stato corrente (On / Off) di ciascun dispositivo collegato al TCS-1. La pagina Allarmi mostrerà i messaggi di allarme più recenti.

Setting	
Day & Night Climate	
Light	Device
EC Fan	System

Pagine di impostazione del TCS-1

Dal menu principale del TCS-1, quando si preme INVIO sulla Tenda-X, si accederà a una pagina Impostazioni composta da cinque blocchi, con ciascun blocco che accede a una pagina specifica con le impostazioni per Impostazioni climatiche, Luci, Dispositivi, Ventole EC e Impostazioni di sistema.

Day Setpoint		
Temp	Humid	CO2
70 °F	65 %	1200 ppm
Night Setpoint		
Temp	Humid	CO2
55 °F	50 %	400 ppm

Clima diurno e notturno

Dopo aver premuto INVIO nella scheda Clima giorno e notte, si aprirà la pagina in cui è possibile impostare la temperatura, l'umidità e i livelli di CO2 nella tenda di coltivazione sia per il giorno che per la notte. Dopo che i parametri climatici sono stati impostati, i dispositivi climatici collegati al Tent-X manterranno automaticamente tali impostazioni.

Lighting
Line 1
Line 2

Luci

Dopo aver premuto INVIO sul blocco Luce, lo schermo visualizzerà la Linea 1 e la Linea 2. Utilizzare le frecce SU e GIÙ per scegliere Linea 1 o Linea 2 e premere INVIO per navigare alla pagina in cui è possibile apportare modifiche alla Linea selezionata.

Line 1 Lighting	
Mode	LED
Power	100%
On at	20:00
Off at	08:00
Dim at	84 °F
Stop at	89 °F
Sun R/S time	OFF

In questa pagina puoi creare le tue impostazioni di luce. Utilizzare i pulsanti SU e GIÙ per navigare tra le opzioni di questa pagina e premere INVIO su un elemento per modificarlo. Quando vedi la voce lampeggiare, puoi passare da una selezione all'altra utilizzando le frecce SU e GIÙ. Una volta selezionata la voce, premere nuovamente INVIO per confermare la selezione. Seleziona se stai utilizzando luci HID o LED. Puoi anche selezionare l'orario di accensione/spegnimento delle luci, la temperatura alla quale le luci si attenuano, l'orario di alba e tramonto e altro ancora.

Devices Setting			
T1 Heat		T2 Cool	
H1 Humid		H2 Dehumid	
C1 In		C2 Out	
P1	P2	P3	P4

Dispositivi

La scheda Dispositivi è dove configurerai i tuoi dispositivi di climatizzazione. Utilizzando i nostri moduli DS plug-in è possibile collegare e controllare i dispositivi tramite il controller. Tent-X di TrolMaster può controllare più moduli di dispositivi.

Quando apri la pagina Dispositivi, puoi selezionare cosa controllerà ciascuno dei moduli del tuo dispositivo connesso. Sono disponibili 2 slot per dispositivi ciascuno per temperatura T1 e T2, umidità H1 e H2 e CO2 C1 e C2. È inoltre possibile impostare 4 dispositivi timer programmabili, etichettati da P1 a P4.

Spostare il cursore sull'impostazione del modulo del dispositivo che si desidera modificare. Premere INVIO per accedere alle impostazioni del dispositivo. È quindi possibile utilizzare le frecce SU o GIÙ per selezionare il tipo di dispositivo collegato al Tent-X. Una volta terminata la selezione del dispositivo collegato per ciascun modulo dispositivo, premere nuovamente INVIO per confermare le selezioni.

I moduli dei dispositivi di programmazione possono essere utilizzati per collegare più dispositivi di climatizzazione o dispositivi di irrigazione basati su timer come solenoidi e pompe. Se desideri collegare dispositivi di irrigazione per impostare programmi di irrigazione, puoi utilizzare i moduli DSP1 o 2 (120 o 240 V) o DSV-1 (12-24 V CA/CC) per impostare i tuoi programmi preferiti. Per programmare un dispositivo in base alla pianificazione, premere INVIO su una qualsiasi delle schede del programma da P1 a P4. Lo schermo LCD visualizzerà quindi 3 opzioni, in cui puoi impostare il tipo di programma che desideri impostare. Se scegli l'impostazione della programmazione singola, dovrai impostare solo 2 timer. Inserisci semplicemente quando vuoi che il dispositivo si accenda e quando si spegne. Se si sceglie l'impostazione di pianificazione multipla, è possibile impostare fino a 12 orari di accensione e spegnimento individuali per ciascun dispositivo da seguire entro un "giorno" di 24 ore. Se scegli di utilizzare la modalità timer di riciclo, sarai in grado di determinare la durata del tempo di accensione e spegnimento e la modalità timer di riciclo ripeterà quindi lo stesso programma di durata di accensione/spegnimento tutte le volte che desideri, lavorando come un timer a ciclo ripetuto. Potrai anche selezionare l'ora del giorno in cui iniziare il ciclo di ripetizione, nonché determinare quanti cicli verranno ripetuti prima che i timer vengano spenti fino al giorno successivo. Il controller Tent-X gestirà il resto una volta impostato il programma di irrigazione preferito. I tuoi dispositivi controllati dal timer verranno controllati automaticamente con il TCS-1 in base alle impostazioni specificate.

Setting	
Day & Night Climate	
Light	Devices
EC Fan	System

Impostazioni ventola EC

Ventola F1: sono disponibili 4 modalità per la ventola F1 con impostazioni separate per giorno e notte. Queste 4 modalità includono:

- **Modalità solo raffreddamento:** la ventola di scarico è controllata esclusivamente dalla temperatura nella tenda di coltivazione
- **Modalità solo dehu:** la ventola di scarico è controllata esclusivamente dai livelli di umidità nella tenda di coltivazione
- **Modalità priorità freddo:** la ventola di scarico è controllata sia dalla temperatura che dall'umidità, tuttavia, darà priorità alla temperatura affinché rientri nell'intervallo definito se entrambe non possono essere raggiunte.
- **Modalità Priorità Dehu:** la ventola di scarico è controllata sia dalla temperatura che dall'umidità, tuttavia, darà priorità all'umidità affinché rientri nell'intervallo definito se entrambe non possono essere raggiunte.

Setting	
Exhaust Fan (F1)	
Intake Fan (F2)	

All'interno della pagina di impostazione F1, è anche possibile impostare la velocità minima e massima della ventola a cui può funzionare la ventola di scarico. Quando si utilizza una sola ventola di scarico, impostare la velocità minima affinché la ventola funzioni sopra lo 0% consentirà all'utente di garantire una pressione negativa all'interno della tenda anche quando il TCS-1 non richiede raffreddamento. L'impostazione della velocità massima di funzionamento della ventola consentirà all'utente di scegliere la velocità e il volume con cui la ventola funzionerà alla massima velocità.

Premi INVIO su "Ventola di scarico (F1)" e arriverai alla pagina in cui puoi impostare le impostazioni della ventola. La prima cosa da selezionare è la modalità in cui si desidera che la ventola funzioni. Premere Invio e quindi utilizzare le frecce Su/Giù per selezionare la modalità desiderata, quindi premere Invio. Successivamente è possibile selezionare la velocità minima della ventola. Quindi selezionerai la velocità massima della ventola. È inoltre possibile selezionare di bloccare la CO2 per disattivarla quando la ventola è in funzione. Spostare il cursore sullo schermo verso il basso su Interblocco CO2, quindi utilizzare la freccia su o giù per consentire la visualizzazione del segno di spunta ✓ sullo schermo e premere nuovamente INVIO per confermare la selezione. A seconda di come lo imposti, le ventole aumenteranno la loro velocità all'aumentare della temperatura o dell'umidità e rallenteranno (o si fermeranno) quando la temperatura e l'umidità diminuiranno. Con i ventilatori che lavorano insieme in uno schema di controllo "a circuito aperto", sarai in grado di controllare accuratamente l'ambiente all'interno della tenda utilizzando l'aria fresca.

***Nota:** la funzione "Swing" non viene utilizzata per controllare i ventilatori EC standard.

Setting	
Exhaust Fan (F1)	
Intake Fan (F2)	

Ventola F2: le impostazioni della ventola F2 riguardano la seconda ventola opzionale che può essere installata come ventola di aspirazione. La ventola di aspirazione può essere impostata per funzionare a una velocità leggermente inferiore rispetto a quella della ventola F1, creando quindi automaticamente una pressione negativa all'interno della tenda di coltivazione. L'utente può selezionare il "differenziale" % e se spegnere la ventola o consentirle di continuare a funzionare quando è al di sotto del setpoint di temperatura o umidità. L'utente può

personalizzare le impostazioni della ventola di aspirazione all'interno del blocco F2. Sebbene sia possibile utilizzare una singola ventola di scarico, possiamo controllare la quantità di pressione negativa all'interno della tenda aggiungendo una ventola di aspirazione separata e controllandola separatamente. Con l'opzione F2 puoi regolare la pressione negativa nella tua tenda diminuendo la velocità della ventola dell'aria aspirata.

Premi INVIO su "Ventola di aspirazione (F2)" e arriverai alla pagina in cui puoi impostare la pressione negativa che desideri nella tua tenda di coltivazione. Premere nuovamente INVIO e utilizzare le frecce SU e GIÙ per selezionare il numero, premere nuovamente INVIO per confermare la selezione. Hai anche la possibilità di non consentire l'attivazione della ventola di aspirazione quando la temperatura e/o l'umidità scendono al di sotto dei setpoint. Verrà attivata la funzione Arresta se inferiore al setpoint n insieme alle impostazioni F1 e dà la possibilità di scegliere se si desidera far funzionare la ventola F2 alla velocità minima% o spegnere completamente la ventola quando la temperatura e/o l'umidità sono inferiori al setpoint. Per impostare "Stop When Below Setpoint" , premere ENTER nel riquadro in basso e inizierà a lampeggiare. Utilizzare la freccia SU o GIÙ per far apparire il segno di spunta ✓ sullo schermo, quindi premere nuovamente INVIO per confermare la selezione.

Impostazioni di sistema

La scheda "Sistema" è dove definirai le varie impostazioni interne per il tuo controller Tent-X. Ci sono molte impostazioni nelle Impostazioni di sistema.

Unità di misura: imposta il formato che desideri che sia l'unità di misura per la temperatura EC e le impostazioni dell'orologio.

Override manuale: in questa pagina è anche possibile eseguire l'override manuale dei moduli del dispositivo controller. Ciò consente di testare e assicurarsi che tutti i moduli del dispositivo siano collegati e funzionino correttamente con il controller.

Codice QR: puoi scansionare il codice QR per associare il tuo dispositivo smart (app) al controller.

Ripristino del sistema: sono disponibili tre opzioni tra cui scegliere nel menu Ripristino del sistema. Il ripristino del dispositivo consente all'utente di ripristinare SOLO l'indirizzamento del modulo del dispositivo. Il ripristino delle impostazioni di fabbrica può essere utilizzato per risolvere alcuni problemi importanti all'interno del controller o se l'utente desidera semplicemente riportare l'unità alle impostazioni di fabbrica. È inoltre possibile aggiornare il firmware interno del TCS-1 selezionando Aggiornamento firmware.

Calibrazione: puoi calibrare i vari sensori che stai utilizzando all'interno della tenda di coltivazione selezionando la pagina Calibrazione. Lì troverai le opzioni per calibrare i sensori ambientali e i sensori di monitoraggio dell'acqua.

***Nota:** il sensore MBS-PAR non richiede calibrazione.

DeadBand: è possibile impostare i setpoint della banda morta che verranno utilizzati con i moduli del dispositivo connesso. Le impostazioni della banda morta determinano il livello di temperatura o umidità a cui ciascun modulo si accenderà e si spegnerà di nuovo.

Rilevatori d'acqua: questa pagina mostrerà lo stato dei rilevatori d'acqua opzionali. Qui è possibile selezionare una delle due modalità per i rilevatori d'acqua, il sensore di perdite o il sensore di conferma dell'acqua.

Tempo di ritardo WD: qui è possibile impostare il tempo di ritardo del rilevatore d'acqua.

Impostazioni allarme: nella pagina Impostazioni allarme, puoi impostare le impostazioni di allarme del limite alto e basso per il clima, i nutrienti e il terreno di coltura. Quando i valori superano o scendono al di sotto del setpoint massimo e minimo definiti nelle impostazioni dell'allarme, verrai immediatamente avvisato sul controller e tramite l'app TrolMaster, TM+ Pro.

Controllo ventola EC Le impostazioni di controllo della ventola EC determinano l'intervallo di temperatura e umidità in cui la velocità della ventola cambierà. Ad esempio, se il setpoint della temperatura utente è 80°F e l'intervallo di temperatura variabile è impostato su 5°F, la ventola funzionerà a velocità variabili a meno che la temperatura non superi 85°F (80+5 = 85) . Se la temperatura o l'umidità supera l'impostazione dell'intervallo di temperatura, la ventola di scarico funzionerà alla velocità massima impostata dall'utente nelle impostazioni F1. Man mano che la temperatura o l'umidità tornano verso il setpoint di temperatura, la ventola rallenterà gradualmente e riprenderà alla velocità minima impostata dall'utente in modo lineare. Lo stesso effetto si verifica con l'impostazione Intervallo variabile dell'umidità.

AGGIORNAMENTI DEL FIRMWARE

Quando si installa per la prima volta il controller, è necessario verificare che disponga della versione più recente del sistema operativo/firmware. Aggiornamento al firmware più recente per correzioni di bug e nuove funzioni aggiunte all'unità. Visita il nostro sito web per scoprire la versione più aggiornata del firmware. Quindi salverai e copierai il firmware più recente su una scheda MicroSD da 32 GB o meno. Per aggiornare il firmware, inserire la scheda MicroSD nello slot TCS-1, quindi andare alla pagina Impostazioni di sistema e scegliere Ripristino del sistema. In basso vedrai la versione attuale del firmware installato. Per installare l'aggiornamento, scegli Aggiornamento firmware e segui le istruzioni per selezionare il file da aggiornare.

SPECIFICHE

Tensione in ingresso: 100-240VAC, 50/60Hz

Grado di protezione dall'ingresso: IP20

Distanza massima dal dispositivo da collegare: 1000 metri

Intervallo di temperatura: 32~138°F

Precisione della temperatura: ±1°F

Banda morta di temperatura: 3°F

Intervallo di umidità: 5~95%

Precisione dell'umidità: ±5%

Banda morta di umidità: 5%

Intervallo CO2: 0~2000 PPM

Precisione CO2: ±50 PPM

Banda morta CO2: 50 PPM

Temperatura di lavoro: 32~122°F

Umidità di lavoro: 5~95%RH

Importante!

Non consentire che Tent-X venga esposto all'acqua o al calore eccessivo. Non aprire o tentare di aprire il Tent-X per riparare o smontare il controller, poiché al suo interno non sono presenti parti riparabili dall'utente. L'apertura del controller annullerà la garanzia. Se desideri pulire la superficie del controller, strofinala con un panno umido. La Tenda-X funziona in condizioni di ventilazione naturale ed è adatta a ricevere energia da una presa domestica convenzionale.

Español

Tent-X (TCS-1) Manual de instrucciones de

DESCRIPCIÓN GENERAL

Felicitaciones por comprar el sistema de control todo en 1 de última generación, Tent-X. Diseñado para armarios de cultivo de una sola zona, este dispositivo es capaz de satisfacer todas las necesidades ambientales y de riego de su armario de cultivo. El TCS-1 / Tent-X es el cerebro que une todos sus dispositivos de riego y control de clima en un solo controlador. Esto permite que TODOS sus dispositivos funcionen juntos para crear el entorno de crecimiento óptimo para sus plantas. El TENT-X permite a los usuarios monitorear y controlar tanto su entorno como los sistemas de riego/fertirrigación dentro de su armario de cultivo, utilizando un controlador rentable y fácil de usar. El Tent-X es adecuado para controlar todos los tamaños de armarios de cultivo. Puede controlar y monitorear ventiladores tipo EC, temperatura del aire, humedad, CO2 y luces. También puede monitorear y controlar todos sus dispositivos de riego dentro de su tienda, incluidos el pH, la CE, la temperatura del agua y el VWC (contenido volumétrico de agua).

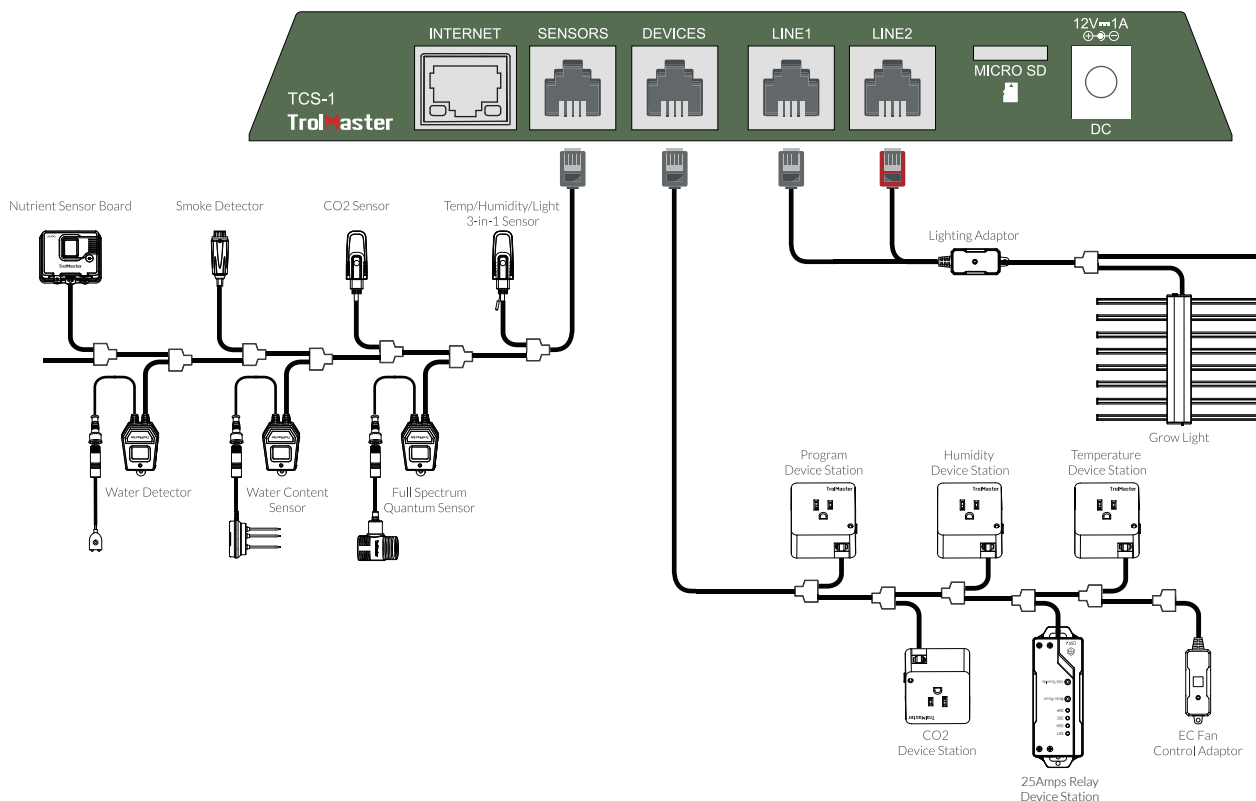
CONTENIDOS DEL PAQUETE

El controlador TCS-1 viene con el controlador principal, un sensor MBS-TH, una fuente de alimentación de 12 VCC y un juego de cables estándar con un cable RJ de 4 y 16 pies y un divisor en Y. Las demás piezas que conformarán su sistema de control se comprarán por separado según lo requiera cada usuario.

INSTRUCCIONES

Instale el Tent-X en una pared usando la placa posterior incluida que viene en el paquete con el controlador. Es un sencillo soporte de pared fijo. Simplemente suelte el controlador del soporte tirando del controlador para sacarlo del soporte y luego monte el soporte en la pared con tornillos. Luego puede volver a colocar el controlador en el soporte simplemente empujándolo dentro del soporte. Se bloqueará solo en su lugar. Luego puede comenzar a instalar y conectar sus sensores y módulos de dispositivos al TCS-1 utilizando nuestros cables RJ12 estándar.

Los cables de comunicación RJ12 de interconexión vienen en varias longitudes. Es fundamental elegir la longitud adecuada que se adapte a su aplicación. Al comprar el sistema de control TCS-1 TENT-X, recibirá un juego de cables RJ12 que consta de un cable RJ de 4 pies y 16 pies y un divisor en Y como parte del paquete. Cada módulo de dispositivo y sensor opcional que compre también vendrá con el juego de cables RJ12 estándar. Se pueden adquirir juegos de cables ECS-1 adicionales.



1. Conexiones de sensores

Todos los sensores utilizados con el TENT-X se conectarán al puerto RJ12 etiquetado como SENSORES, en la parte inferior de la unidad. Primero, conecte un cable RJ12 al puerto, luego conecte el otro extremo a un divisor en Y o al concentrador divisor de TrolMaster (SPH-1). Si usa el divisor en Y, puede conectar el primer sensor y luego usar divisores en Y adicionales para agregar cada sensor adicional. Al conectar varios sensores, puede resultar más fácil utilizar un único SPH-1 de 8 puertos en lugar de varios divisores en Y. A continuación se muestran todos los tipos de sensores que se pueden conectar al TCS-1 y el número máximo que se puede conectar.

1x MBS-TH :	Sensor de temperatura, humedad y luz 3 en 1. *Viene con el TCS-1.
1x MBS-S8 :	sensor de CO2
1x MBS-PAR :	sensor cuántico de espectro completo
1x MBS-SD :	detector de humo
2x WD-1:	detector de agua
1x AMP-3 :	Amplificador para conectar las sondas de pH y EC
1x PCT-1, 2 o 3 :	EC y sonda de temperatura
1x PPH-1, 2 o 3 :	sonda de PH
1x WCS-1, 2 o 3 :	Sensor de contenido de agua o WCS-2: Contenido de agua + sensor EC

Una vez que todos los sensores están conectados al puerto SENSOR en el TCS-1, algunos de los sensores requieren que se presione el botón pequeño en los sensores para vincular o "direccionar" cada sensor al controlador TCS-1. El controlador TENT-X asignará automáticamente una dirección a los sensores de forma secuencial. Una vez que se direccionan los sensores, las direcciones se guardarán a menos que el usuario complete un restablecimiento de fábrica o del sensor dentro del menú de configuración del sistema.

2. Conexiones de luz

El TCS-1 puede controlar la mayoría de las marcas de luces LED o HID utilizando los dos canales de control de iluminación integrados en el TCS-1. Cada uno de los dos canales puede funcionar de forma independiente para permitir controlar dos tipos o marcas diferentes de luces. Para controlar sus luces, primero debe conectar uno de los adaptadores de iluminación LMA de TrolMaster en los puertos RJ12 en la parte inferior del controlador, etiquetados Línea 1 y Línea 2. TrolMaster ofrece varios tipos de adaptadores de iluminación para diferentes marcas y tipos de luces. . Si tiene preguntas sobre qué adaptador es el correcto para sus luces, comuníquese con el soporte técnico o vaya a la página de Tent-X en el sitio web de TrolMaster en www.trolmaster.com. Dado que cada uno de los dos canales de control de iluminación es independiente, cada línea de control se puede configurar para que tenga sus propios ajustes de temporizador y puntos de ajuste de temperatura de atenuación, así como el porcentaje de atenuación y potencia con el que funcionará cada grupo de luces.

3. Conexiones del módulo de dispositivo

Hay varios módulos de dispositivos que se pueden utilizar con el TCS-1. Todos los módulos de dispositivos utilizados con el TCS-1 se conectarán al puerto RJ12 en la parte inferior del controlador, etiquetado como DISPOSITIVOS. Primero, conecte un cable RJ12 al puerto, luego conecte el otro extremo a un divisor en Y o al concentrador divisor de TrolMaster (SPH-1). Si tu Conecte el divisor en Y, un módulo de dispositivo en uno de los dos puertos y otro módulo de dispositivo en el segundo puerto, o conecte otro divisor en Y al segundo puerto para crear una conexión en cadena para conectar más módulos de dispositivos. Repita el procedimiento para conectar todos los módulos del dispositivo al puerto DISPOSITIVOS RJ12 en el controlador TCS-1. Al conectar varios módulos de dispositivos, puede resultar más fácil utilizar un único SPH-1 de 8 puertos en lugar de varios divisores en Y. Una vez que todos los dispositivos estén conectados, presione el botón pequeño en los módulos del dispositivo para vincular o "direccionar" cada módulo al controlador TCS-1. El controlador TENT-X asignará una dirección a los módulos del dispositivo de forma secuencial. Una vez que se direccionan los módulos del dispositivo, las direcciones se guardarán a menos que el usuario complete un restablecimiento de fábrica o del dispositivo en el menú de configuración del sistema.

Existen límites individuales en cuanto a la cantidad de módulos de dispositivos que se pueden

conectar al TCS-1. Temperatura = 2 ----- Calefacción o Refrigeración

Humedad = 2 ----- Deshumidificar o Humidificar

CO2 = 2 ----- Aumentar o Disminuir los niveles de CO2

Dispositivos temporizadores = 4 ----- temporizadores de reciclaje o programación

A continuación se muestra una lista de todos los módulos de dispositivos que se pueden utilizar con el TCS-1.

2 x DSC-1 :	Estación de dispositivos para CO2
2 x DSH-1&2 :	Estación de dispositivos para humedad
2 x DST-1&2 :	Estación de dispositivos para temperatura
2 x DSP -1&2 :	Estación de dispositivo para control de temporizador
* DSD-1 :	Estación de dispositivo de contacto seco, con contactos N/A y N/C. *Módulo universal.
* DSV-1 :	Estación de dispositivos de baja tensión (12-24V, AC/DC) *Módulo universal.
* DCC-1 :	Adaptador de doble condición, permite que una sola estación de dispositivo tipo DS tenga 2 configuraciones de control *Módulo universal.
* DSR-1 :	Estación de relé de 25A (100–277 V~, 50/60 Hz) *Módulo universal.
2 x ARS-1 :	Módulo de control AC de minisplit, controla la mayoría de minisplit. *Consulta el sitio web de TrolMaster para obtener detalles sobre qué minisplits se pueden controlar y cuáles no.
* 4RS-2 :	El módulo de dispositivo 4RS-2 fue diseñado específicamente para el TCS-1. Proporciona un único módulo de control que cuenta con 4 tomas de corriente controladas separadas. Cada 4RS-2 puede controlar un dispositivo de temperatura y humedad, así como dos dispositivos independientes controlados por temporizadores, como ventiladores o bombas. *El uso del módulo 4RS-2 consumirá 1 ranura de temperatura, 1 de humedad y 2 de temporizador.

***Nota:** Tenga en cuenta la cantidad máxima de cada módulo de dispositivo que se puede conectar como se indicó anteriormente.

4. Conexiones de los ventiladores EC

El TCS-1 puede controlar ventiladores EC. Dividiremos esos ventiladores en dos categorías, ventiladores EC estándar y ventiladores Aerofan EC.

Los ventiladores EC estándar que se pueden controlar mediante una señal de 0 a 10 voltios o PWM se pueden conectar al TCS-1 mediante el módulo de interfaz de ventilador EFC-1 opcional. Los usuarios pueden controlar dos ventiladores EC al mismo tiempo, categorizados como F1 y F2. Cada ventilador se conectará a un EFC-1 independiente que se conectará al puerto RJ12 del dispositivo. El primer y principal ventilador, llamado F1, se puede utilizar y controlar como extractor de aire para controlar la temperatura y la humedad. A medida que aumenta la temperatura o la humedad, la velocidad del ventilador también aumenta. El segundo ventilador, F2, se puede usar y controlar opcionalmente para que funcione a una velocidad ligeramente más lenta que el F1 y actuará como un ventilador de entrada para crear la presión negativa deseada dentro del armario de cultivo.

Control de ventiladores EC estándar: en el sistema Tent-X, los ventiladores EC se pueden controlar utilizando los adaptadores de control EFC-1 opcionales. Usando los adaptadores de control EFC-1, puede

controlar ventiladores EC de 0-10 voltios o tipo PWM, que puede seleccionar al configurar el EFC-1 por primera vez. Los adaptadores de control EFC-1 pueden controlar la velocidad del ventilador de extracción y del ventilador de entrada, lo que como resultado, puede manipular la temperatura, la humedad y la presión negativa dentro del armario de cultivo para adaptarse al resultado deseado por los usuarios. Se pueden controlar hasta 2 ventiladores utilizando dos de los adaptadores EFC-1.

Los ventiladores EC de la marca Aerofan no requieren el EFC-1 opcional, ya que se pueden conectar directamente al puerto RJ12 del módulo de dispositivo en el TCS-1. El TCS-1 puede controlar un solo Aerofan o varios Aerofans utilizando la misma configuración de usuario para todos los ventiladores conectados. Se pueden conectar varios Aerofans entre sí mediante los cables de conexión en cadena suministrados. Luego, ese grupo de ventiladores se puede conectar al puerto del dispositivo TCS-1. Una vez conectado, el usuario puede seleccionar la configuración para que funcionen los Aerofans.

***Nota:** La función "Swing" solo se usa para Aerofans que tienen un movimiento oscilante. Cuando se utiliza la opción de control Aerofan, solo hay disponible una configuración de ventilador EC.

***Nota:** Para tener una presión negativa dentro de un armario de cultivo cuando utilices los Aerofans, selecciona un ventilador más grande para el escape y uno más pequeño para la entrada.

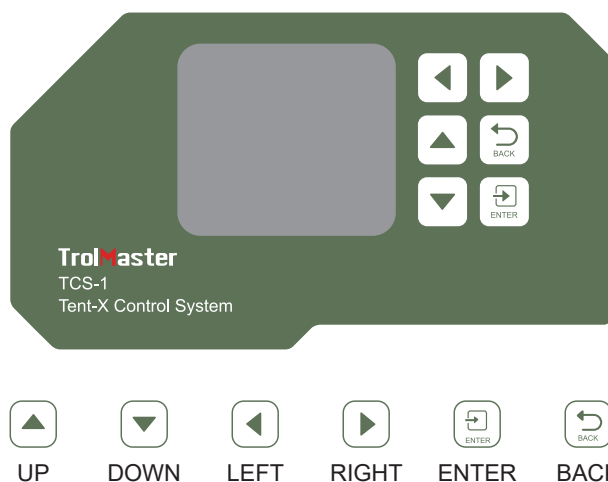
Control de los ventiladores Aerofan EC: Los ventiladores Aerofan se pueden conectar al TCS-1 de dos maneras. Los Aerofans no requieren de ningún tipo de adaptador para controlarlos mediante el controlador TCS-1. Entonces, la forma más sencilla de conectar los ventiladores Aerofan al TCS-1 es conectar el cable de comunicación del ventilador directamente al puerto DEVICE del TCS-1. Todos los ventiladores a controlar se conectarán en cadena utilizando los cables proporcionados y luego se conectarán al puerto del dispositivo en el TCS-1. Una vez conectados, esos ventiladores se controlarán según la configuración dentro de la página de fans de EC. También puedes optar por utilizar el módulo de control remoto del ventilador FRC-1 opcional. El FRC-1 proporciona un método fácil y manual para ajustar las velocidades del Aerofan. El FRC-1 se conecta en línea con los ventiladores mediante el cable Y suministrado; el otro extremo del cable Y se conecta al TCS-1. Normalmente, el TCS-1 controla la velocidad del ventilador según la configuración del usuario dentro del TCS-1. Pero cuando el FRC-1 está conectado, girar la perilla manual del FRC-1 permitirá temporalmente que el FRC-1 controle la velocidad del ventilador según la configuración de velocidad manual del usuario. Después de 30 minutos de inactividad en el FRC-1, los Aerofans que están conectados al FRC-1 y al TCS-1 serán controlados por el TCS-1 nuevamente.

5. Conexión a Internet

Puede conectar su TENT-X a Internet para tener acceso a monitoreo remoto, notificaciones y control de su controlador. Para conectar el controlador a Internet, TrolMaster recomienda utilizar un cable Cat 5/6 cableado conectado al puerto Ethernet en la parte inferior del TCS-1. Después de haber conectado su TENT-X a Internet, descargue la aplicación TrolMaster, TM+ Pro en su teléfono inteligente. Luego podrá acceder a datos en tiempo real a través de su teléfono inteligente y tener control remoto de los dispositivos conectados a Tent-X, lo que le permitirá viajar con libertad y estar lejos de su entorno en crecimiento. Los

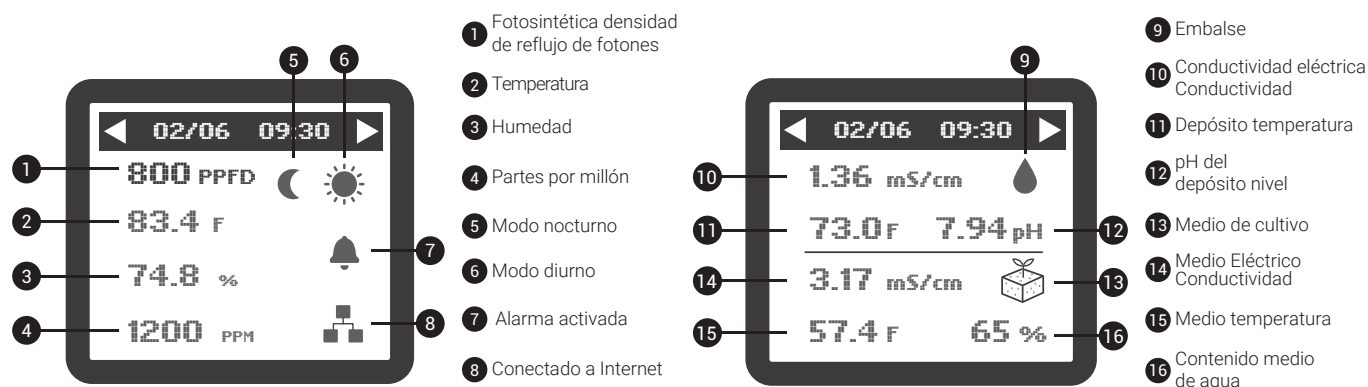
usuarios de TrolMaster también pueden compartir su progreso, interactuar con otros productores, acceder a datos históricos y tener acceso a muchas funciones útiles en la aplicación.

***Nota:** No hay wifi incorporado en el TCS-1. Comuníquese con el soporte técnico de TrolMaster para conocer las opciones relacionadas con el uso de una conexión wifi, ya que la mayoría de los extensores de rango wifi disponibles comercialmente (con puertos Ethernet) NO son compatibles con los controladores TrolMaster.



Interfaz principal

Cuando conecte el Tent-X por primera vez, accede a la página de inicio en la pantalla LCD. Aquí se muestran los datos del sensor del armario de cultivo. Presione las flechas "IZQUIERDA" y "DERECHA" para cambiar entre los datos de los parámetros climáticos, los datos de monitoreo de nutrientes y medios de cultivo, la página de estado del dispositivo y la página de notificación de alarma. Cada página proporciona información específica sobre Tent-X. Tent-X monitorea constantemente su clima y nutrientes y cultivará datos del medio en tiempo real:



Notificaciones de alarma

La página de notificación de alarma es donde se consolidan todas sus notificaciones de alarma. Aquí es donde puede comprobar las notificaciones de alarma pérdidas y ajustar su configuración en consecuencia.

Comprender el menú/las páginas

Hay 4 páginas del menú principal en el TCS-1. Cuando encienda el controlador por primera vez, se mostrará la página de inicio. En esa página puedes ver las condiciones ambientales actuales dentro de la tienda. Al presionar el botón de flecha derecha accederá a las condiciones de riego actuales. También puede utilizar el botón de flecha izquierda para ver las páginas Estado del dispositivo y Mensajes de alarma. La página de estado del dispositivo mostrará el estado actual (encendido/apagado) de cada dispositivo conectado al TCS-1. La página de alarma mostrará los mensajes de alarma más recientes.

Setting	
Day & Night Climate	
Light	Device
EC Fan	System

Páginas de configuración del TCS-1

Desde el menú principal del TCS-1, cuando presiona ENTER en el Tent-X, ingresará a una página de configuración que consta de cinco bloques, y cada bloque accede a una página específica con configuraciones para configuraciones de clima, luces, dispositivos y ventiladores EC. y Configuración del sistema.

Day Setpoint		
Temp	Humid	CO2
70 °F	65 %	1200 ppm
Night Setpoint		
Temp	Humid	CO2
55 °F	50 %	400 ppm

Clima diurno y nocturno

Después de presionar ENTER en la pestaña Clima diurno y nocturno, se abrirá la página donde podrá configurar la temperatura, la humedad y los niveles de CO2 en el armario de cultivo tanto para el día como para la noche. Una vez establecidos los parámetros climáticos, los dispositivos climáticos conectados al Tent-X mantendrán automáticamente esos ajustes.

Lighting
Line 1
Line 2

Luces

Después de presionar ENTER en el bloque de Luz, la pantalla mostrará la Línea 1 y la Línea 2. Use las flechas ARRIBA y ABAJO para elegir Línea 1 o Línea 2 y presione ENTER para navegar a la página donde puede realizar cambios en la Línea seleccionada.

Line 1 Lighting	
Mode	LED
Power	100%
On at	20:00
Off at	08:00
Dim at	84 °F
Stop at	89 °F
Sun R/S time	OFF

En esta página, puede crear sus configuraciones de iluminación. Utilice los botones ARRIBA y ABAJO para navegar por las opciones de esta página y presione ENTRAR en un elemento para cambiarlo. Cuando vea que el elemento parpadea, puede cambiar entre las selecciones usando las flechas ARRIBA y ABAJO. Cuando haya seleccionado su artículo, presione ENTER nuevamente para confirmar la selección. Selecciona si estás usando luces HID o LED. También puede seleccionar la hora de encendido/apagado de sus luces, la temperatura a la que se atenuarán las luces, la hora de salida y puesta del sol, y más.

Devices Setting			
T1 Heat		T2 Cool	
H1 Humid		H2 Dehumid	
C1 In		C2 Out	
P1	P2	P3	P4

Dispositivos

La pestaña Dispositivos es donde configurar sus dispositivos de control de clima. Con el uso de nuestros módulos DS enchufables, puede conectar y controlar los dispositivos a través del controlador. Tent-X de TrolMaster puede controlar múltiples módulos de dispositivos.

Cuando abre la página Dispositivos, allí puede seleccionar qué controlará cada uno de los módulos de su dispositivo conectado. Tiene 2 ranuras para dispositivos disponibles cada una para temperatura T1 y T2, humedad H1 y H2 y CO2 C1 y C2. También puede configurar 4 dispositivos temporizadores programables, etiquetados de P1 a P4.

Mueva el cursor a la configuración del módulo del dispositivo que desea cambiar. Presione ENTER para acceder a la configuración del dispositivo. Luego puede usar las flechas ARRIBA o ABAJO para seleccionar qué tipo de dispositivo está conectado al Tent-X. Cuando haya terminado de seleccionar el dispositivo que ha conectado para cada módulo de dispositivo, presione ENTER nuevamente para confirmar las selecciones.

Los módulos de dispositivos del programa se pueden utilizar para conectar más dispositivos climáticos o dispositivos de riego basados en temporizadores, como solenoides y bombas. Si desea conectar dispositivos de riego para configurar horarios de riego, puede utilizar el módulo DSP-1 o 2 (120 o 240 V), o el DSV-1 (12-24 V CA/CC), para configurar sus horarios preferidos. Para programar un dispositivo por horario, presione ENTER en cualquiera de las pestañas del programa desde P1 a P4. La pantalla LCD mostrará 3 opciones, donde podrá establecer qué tipo de horario desea establecer. Si elige la configuración de horario único, solo tendrá que configurar 2 temporizadores. Simplemente ingresa cuándo desea que se encienda el dispositivo y cuándo se apaga. Si elige la configuración de programación múltiple, puede configurar hasta 12 horas de encendido y apagado individuales para que cada dispositivo las siga dentro de un día de 24 horas. Si elige utilizar el modo de temporizador de reciclaje, podrá determinar la duración del tiempo de encendido y apagado, y el modo de temporizador de reciclaje repetirá ese mismo programa de duración de encendido/apagado tantas veces como desee, funcionando como un temporizador de repetición del ciclo. También podrá seleccionar la hora del día en que comenzará el ciclo de repetición, así como también podrá determinar cuántos ciclos se repetirán antes de que los temporizadores se apaguen hasta el día siguiente. El controlador Tent-X se encargará del resto una vez que haya configurado su programa de riego preferido. Sus dispositivos controlados por temporizador se controlarán automáticamente con el TCS-1 de acuerdo con la configuración que haya especificado.

Setting	
Day & Night Climate	
Light	Devices
EC Fan	System

Configuración del ventilador EC

Ventilador F1: Hay 4 modos para el ventilador F1 con configuraciones separadas para Día y Noche. Estos 4 modos incluyen:

- **Modo de solo frío:** el extractor de aire está controlado únicamente por la temperatura en la tienda de cultivo.
- **Modo solo Dehu:** el extractor de aire está controlado únicamente por los niveles de humedad en el armario de cultivo.
- **Modo de prioridad de enfriamiento:** el extractor de aire está controlado tanto por la temperatura como por la humedad; sin embargo, dará prioridad a la temperatura para que esté dentro del rango definido si no se pueden lograr ambas.
- **Modo de prioridad Dehu:** el extractor de aire está controlado tanto por la temperatura como por la humedad; sin embargo, dará prioridad a la humedad para que esté dentro del rango definido si no se pueden lograr ambas.

Setting	
Exhaust Fan (F1)	
Intake Fan (F2)	

Dentro de la página de configuración F1, también se puede configurar la velocidad mínima y máxima del ventilador a la que puede funcionar el extractor. Cuando se utiliza solo un extractor de aire, establecer la velocidad mínima para que el ventilador funcione por encima del 0% permitirá al usuario garantizar una presión negativa dentro de la tienda incluso cuando el TCS-1 no requiere enfriamiento. Establecer la velocidad máxima a la que puede funcionar el ventilador permitirá al usuario elegir qué tan rápido y con qué volumen funcionará el ventilador a máxima velocidad.

Presione ENTER en "Exhaust Fan (F1)" y llegará a la página donde puede configurar la configuración del ventilador. Lo primero que debe seleccionar es el modo en el que desea que funcione el ventilador. Presione Enter y luego use las flechas Arriba / Abajo para seleccionar el modo deseado, luego presione Enter. A continuación puede seleccionar la velocidad mínima del ventilador. Luego seleccionamos la velocidad máxima del ventilador. También puede seleccionar bloquear el CO2 para desactivarlo cuando el ventilador esté funcionando. Mueva el cursor en la pantalla hacia abajo hasta CO2 Interlock, luego use la flecha hacia arriba o hacia abajo para permitir que aparezca la marca de verificación ✓ en la pantalla y presione ENTER nuevamente para confirmar la selección. Dependiendo de cómo lo configure, los ventiladores aumentarán su velocidad a medida que aumente la temperatura o la humedad, y disminuirán (o se detendrán) a medida que la temperatura y la humedad disminuyen. Con los ventiladores trabajando juntos en un esquema de control de "circuito abierto", podrá controlar con precisión el ambiente dentro de la tienda utilizando aire fresco.

***Nota:** La función "Swing" no se utiliza para controlar los ventiladores EC estándar.

Setting	
Exhaust Fan (F1)	
Intake Fan (F2)	

Ventilador F2: La configuración del ventilador F2 es para el segundo ventilador opcional que se puede instalar como ventilador de entrada. El ventilador de entrada se puede configurar para que funcione a una velocidad ligeramente más baja que la del ventilador F1, creando así automáticamente una presión negativa dentro del armario de cultivo. El usuario puede seleccionar el % de "diferencial" y si desea apagar el ventilador o permitir que continúe funcionando cuando esté por debajo del punto de ajuste de temperatura o humedad. El usuario puede personalizar la

configuración del ventilador de entrada dentro del bloque F2. Si bien se puede usar un solo extractor de aire, podemos controlar la cantidad de presión negativa dentro de la tienda agregando un ventilador de entrada separado y controlándolo por separado. Con la opción F2, puedes configurar la presión negativa en tu tienda disminuyendo la velocidad del ventilador de entrada de aire.

Presione ENTER en "Intake Fan(F2)" y llegará a la página donde podrá configurar la presión negativa que desea en su armario de cultivo. Presione ENTER nuevamente y use las flechas ARRIBA y ABAJO para seleccionar su número, presione ENTER nuevamente para confirmar la selección. También tiene la opción de no permitir que el ventilador de entrada se active cuando la temperatura y/o la humedad caigan por debajo de los puntos de ajuste. La función Detener cuando esté por debajo del punto de ajuste se ejecutará. Está junto con la configuración de F1 y le brinda la posibilidad de elegir si desea hacer funcionar el ventilador F2 a la velocidad mínima, o apagar el ventilador por completo cuando la temperatura y/o la humedad están por debajo del punto de ajuste. Para configurar "Detener cuando esté por debajo del punto de ajuste" , presione ENTER en el cuadrado inferior y comenzará a parpadear. Utilice la flecha ARRIBA o ABAJO para permitir que aparezca la marca de verificación ✓ en la pantalla y luego presione ENTER nuevamente para confirmar la selección.

Ajustes del sistema

La pestaña "Sistema" es donde establecerá sus diversas configuraciones internas para su controlador Tent-X. Hay muchas configuraciones dentro de la Configuración del sistema.

Unidad de medida: establezca el formato que desea que tenga su unidad de medida para la temperatura EC y la configuración del reloj.

Anulación manual: también puede anular manualmente los módulos de su dispositivo controlador en esta página. Eso le permite probar y asegurarse de que todos los módulos del dispositivo estén conectados y funcionando correctamente con el controlador.

Código QR: puede escanear el código QR para vincular su dispositivo inteligente (aplicación) con el controlador.

Restablecer sistema: hay tres opciones para elegir dentro del menú Restablecer sistema. El reinicio del dispositivo permite al usuario restablecer SÓLO el direccionamiento del módulo del dispositivo. El restablecimiento de fábrica se puede utilizar para resolver algunos problemas importantes dentro del controlador, o si el usuario simplemente desea devolver la unidad a la configuración de fábrica. También puede actualizar el firmware interno del TCS-1 seleccionando Actualización de firmware.

Calibración: Puede calibrar los distintos sensores que está utilizando dentro del armario de cultivo seleccionando la página Calibración. Allí encontrará opciones para calibrar los sensores ambientales y los sensores de monitoreo de agua.

***Nota:** El sensor MBS-PAR no requiere calibración.

DeadBand: puede configurar los puntos de ajuste de la banda muerta que se utilizarán con los módulos de su dispositivo conectado. La configuración de la banda muerta determina la temperatura o el nivel de humedad que cada módulo encenderá y apagará nuevamente.

Detectores de agua: esta página le mostrará el estado de los detectores de agua opcionales. Aquí puede seleccionar uno de dos modos para los detectores de agua, el sensor de fugas o el sensor de confirmación de agua.

Configuración de alarma: en la página de configuración de alarma, puede establecer la configuración de alarma de límite alto y bajo para su clima, nutrientes y medio de cultivo. Cuando los valores excedan o caigan por debajo del punto de ajuste máximo y mínimo definido en la configuración de alarma, se le notificará inmediatamente en el controlador y a través de la aplicación de TrolMaster, TM+ Pro.

Control del ventilador EC La configuración del control del ventilador EC determina el rango de temperatura y humedad en el que el ventilador cambiará de velocidad. Por ejemplo, si el punto de ajuste de temperatura del usuario es 80°F y el rango variable de temperatura está configurado en 5°F, el ventilador funcionará a velocidades variables a menos que la temperatura aumente por encima de 85°F (80+5 = 85'). Si la temperatura o la humedad superan este ajuste de rango de temperatura, el extractor de aire funcionará a la velocidad máxima del ventilador establecida por el usuario en la configuración F1. A medida que la temperatura o la humedad vuelven al punto de ajuste de temperatura, el ventilador disminuirá gradualmente y reanudará la velocidad mínima establecida por el usuario de forma lineal. El mismo efecto ocurre con la configuración del Rango variable de humedad.

ACTUALIZACIONES DE FIRMWARE

Cuando instale su controlador por primera vez, debe verificar que tenga la versión más reciente del sistema operativo/firmware. Actualice el firmware más reciente para corregir errores y nuevas funciones que se agregan a la unidad. Visite nuestro sitio web para conocer la versión más actualizada del firmware. Luego guardará y copiará el firmware más reciente en una tarjeta MicroSD de 32 GB o menos. Para actualizar el firmware, inserte la tarjeta MicroSD en la ranura TCS-1, luego vaya a la página Configuración del sistema y elija restablecer el sistema. En la parte inferior verá la versión actual del firmware que está instalada. Para instalar la actualización, elija Actualización de firmware y siga las instrucciones para seleccionar el archivo a actualizar.

ESPECIFICACIONES

Voltaje de entrada: 100-240VAC, 50/60Hz

Grado de protección de ingreso: IP20

Distancia máxima al dispositivo a conectar: 1000 Meter

Rango de temperatura: 32~138°F

Precisión de temperatura: ±1°F

Banda muerta de temperatura: 3°F

Rango de humedad: 5~95%

Precisión de humedad: ±5%

Banda muerta de humedad: 5%

Rango de CO2: 0~2000 PPM

Precisión de CO2: ±50 PPM

Banda muerta de CO2: 50 PPM

Temperatura de trabajo: 32~122°F

Humedad de trabajo: 5~95%RH

¡Importante!

No permita que Tent-X quede expuesto al agua o al calor excesivo. No abra ni intente abrir el Tent-X para reparar o desmontar el controlador, ya que en su interior no hay piezas que el usuario pueda reparar. Abrir el controlador anulará la garantía. Si desea limpiar la superficie del controlador, límpiela con un paño húmedo. El Tent-X funciona en condiciones de ventilación natural y es adecuado para recibir energía de un tomacorriente doméstico convencional.